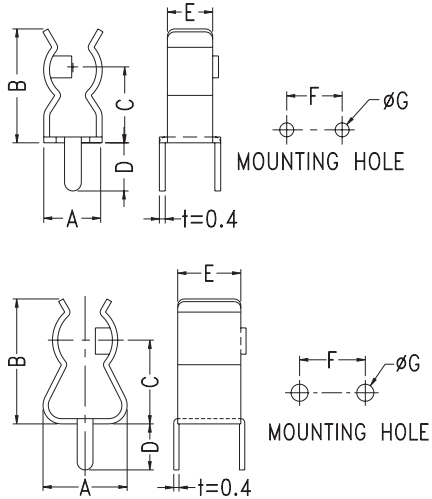
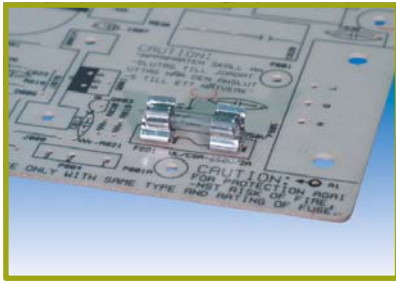


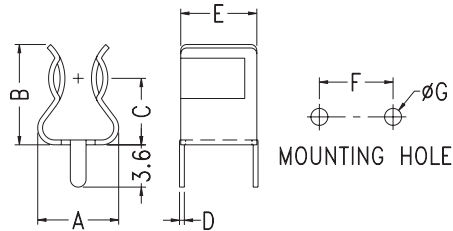
PCB Fuse Clip 15.FUC~



- Material: Phosphor Bronze
- Finish: Tin Plated
- Unit: mm

Part	A	B	C	D	E	F	G	Pack Size
FUC-01	4.0	7.8	5.2	3.3	3.1	3.8	1.2	1000
FUC-02	6.4	9.5	6.5	3.5	4.8	5.1	1.3	1000

PCB Fuse Clip 15.FUC~



- Material: Phosphor Bronze
- Finish: Tin Plated
- Unit: mm

Part	A	B	C	D	E	F	G	Pack Size
FUC-03	6.7	8.3	5.5	0.4	6.3	6.0	1.4	1000
FUC-03A	6.4	8.8	5.5	0.5	6.3	6.7	1.7	1000
FUC-04	8.1	10.9	6.8	0.5	7.0	7.5	1.7	1000