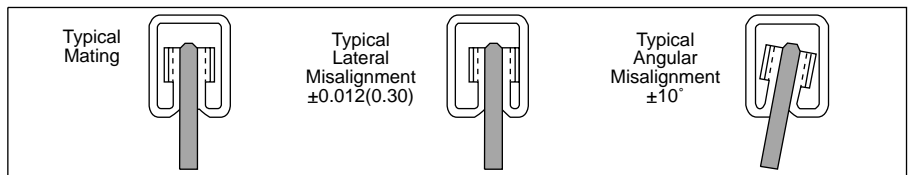
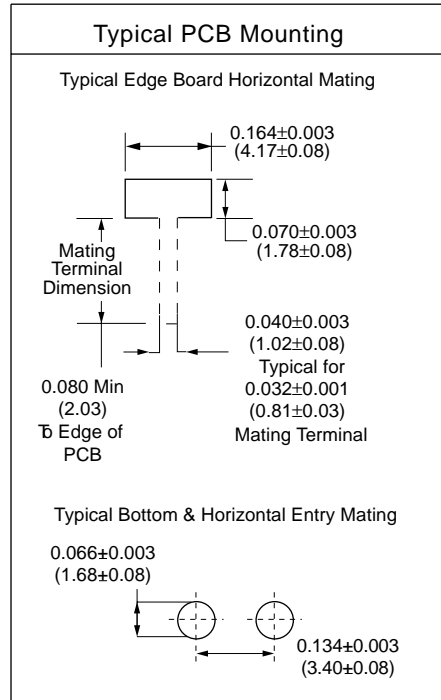
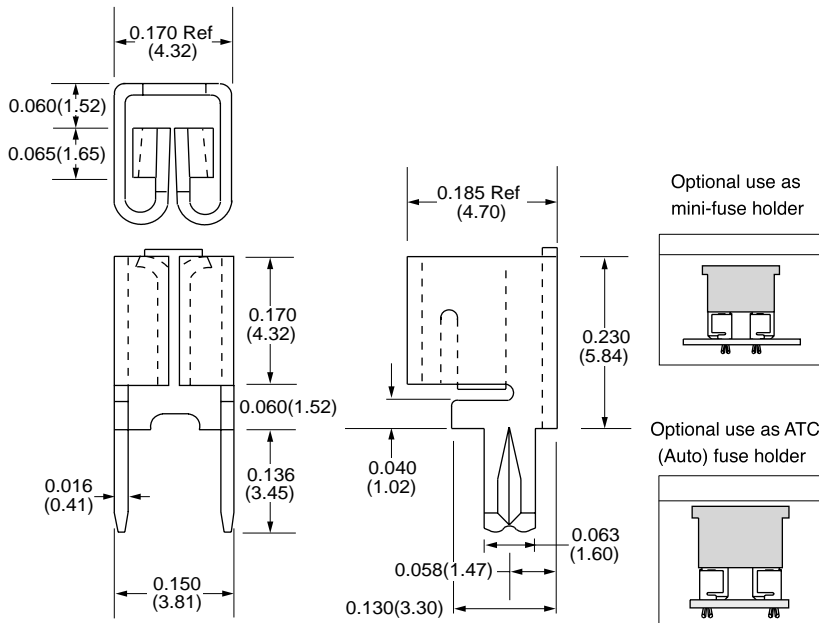


Accu-Pak™ Receptacles for 0.025" (0.64mm) and 0.032" (0.81mm) Thick Male Terminals

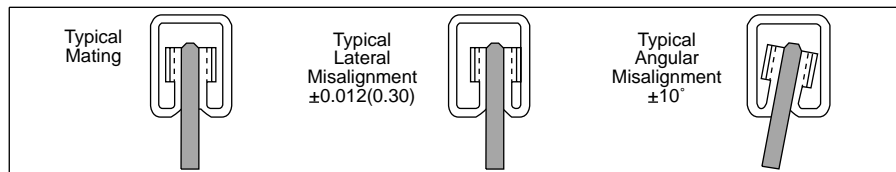
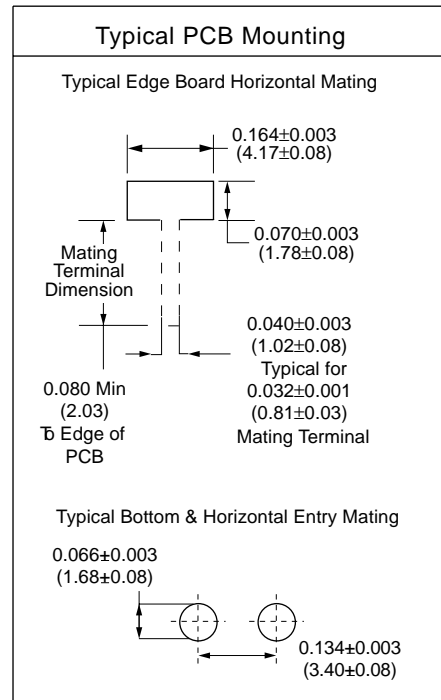
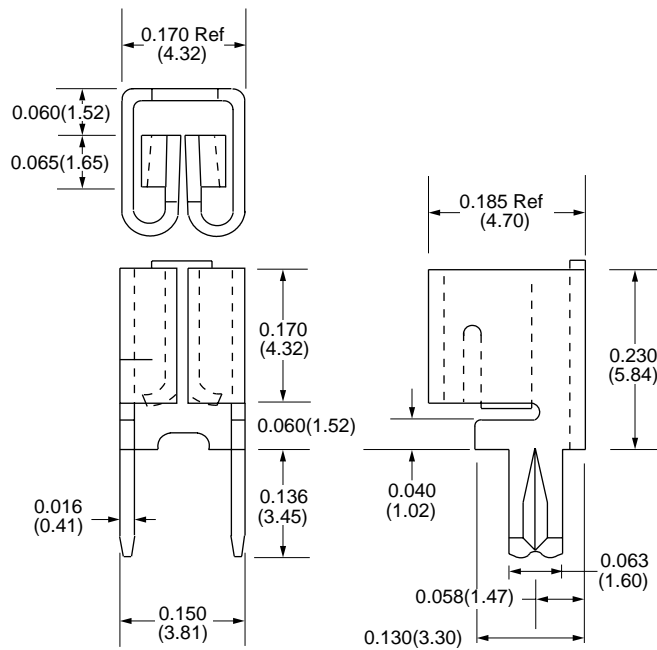
Loose Part No.	Reeled Part No.	Mating Terminal Size
1092-6	6092-6	0.025" (0.64mm) and 0.032" (0.81mm)
Application Data		
Mounting Type	Inward Splay or Accu-Lok™ "Split Leg"	Mating Entry Top and Horizontal
Material Thickness/Type	0.016" (0.41mm) Brass	Applicator System Loose: ZPT81-1092 Reeled: Model 9700, 9718
Standard Finish	Loose: 95/5 Matt Tin/Lead over Copper Reeled: 95/5 Matt Tin/Lead over Copper	
Performance Data		
Current Rating	20 Ampere	
Resistance Rating	1mΩ Max	
Temperature Rating	-65°C to 85°C	



U.S. Patent No. 5,017,159
For exact finish specifications and available special finishes, see Finish Table (page 91).

Accu-Pak™ Receptacles for 0.025" (0.64mm) and 0.032" (0.81mm) Thick Male Terminals

Loose Part No.	Reeled Part No.	Mating Terminal Size
1118-6	6118-6	0.025" (0.64mm) and 0.032" (0.81mm)
1188-6	6188-6	0.015" (0.38mm) and 0.025" (0.64mm)
Application Data		
Mounting Type	Inward Splay or Accu-Lok™ "Split Leg"	Mating Entry Bottom & Horizontal
Material Thickness/Type	0.016" (0.41mm) Brass	Applicator System Loose: ZPT81-1092 Reeled: Model 9700, 9718
Standard Finish	Loose: 95/5 Matt Tin/Lead over Copper Reeled: 95/5 Matt Tin/Lead over Copper	
Performance Data		
Current Rating	20 Ampere	
Resistance Rating	1mΩ Max	
Temperature Rating	-65°C to 85°C	



U.S. Patent No. 5,017,159

For exact finish specifications and available special finishes, see Finish Table (page 91).