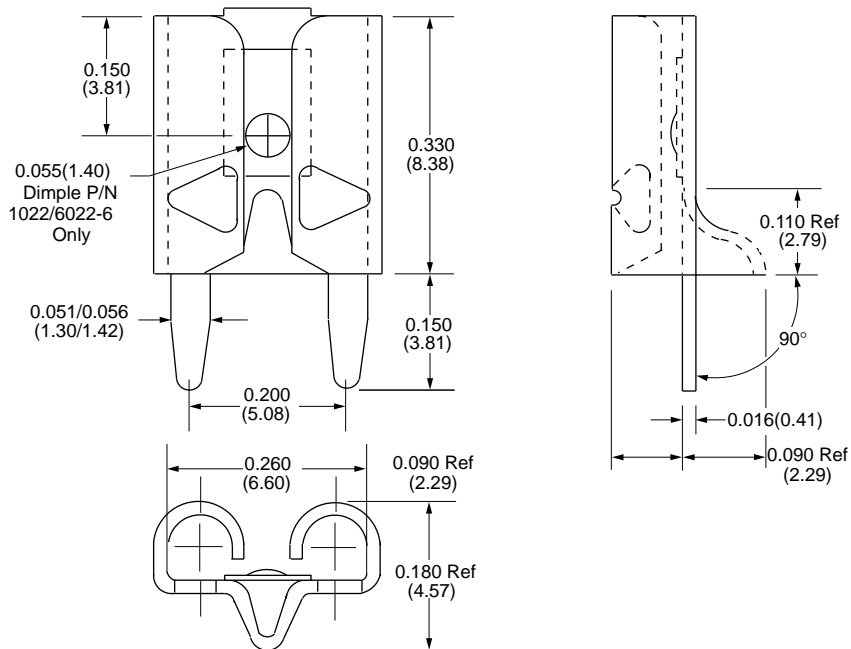


0.205" (5.21mm) and 0.250" (6.35mm) Accu-Pak™ Receptacles

Loose Part No.	Reeled Part No.	Mating Terminal Size
1022-6	6022-6	0.250" x 0.032" (6.35mm x 0.81mm) Tab* or Fuse 0.205" x 0.032" (5.21mm x 0.81mm) Tab* or Fuse
	6037-6	0.250" x 0.032" (6.35mm x 0.81mm) Tin/Brass – Tab or Fuse – (Low Insertion Force) 0.205" x 0.032" (5.21mm x 0.81mm) Tin/Brass – Tab or Fuse – (Low Insertion Force)
	6123-6	0.250" x 0.025" (6.35mm x 0.63mm) Tin/Non-Brass – Relays – Dual/Multiple Mating 0.205" x 0.025" (5.21mm x 0.63mm) Tin/Non-Brass – Relays – Dual/Multiple Mating
Application Data		
Mounting Type	Stable-Lok™ Outward or Inward Splay	Mating Entry Top
Material Thickness/Type	0.016" (0.41mm) Brass	Applicator System Loose: ZPT81-A Reeled: Model 9700, 9718
Standard Finish	Loose: 95/5 Matt Tin/Lead over Copper Reeled: 95/5 Matt Tin/Lead over Copper	Mounting Hole Diameter 0.052"±0.003" (1.32mm±0.076mm) on 0.200"±0.003" centers (5.08mm±0.076mm)
Performance Data		
Current Rating	20 Ampere*	
Resistance Rating	1mΩ Max	
Temperature Rating	-65°C to 85°C	

*with Brass Tab

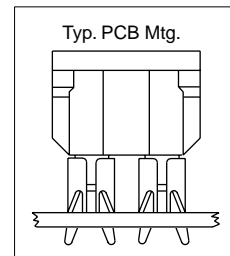
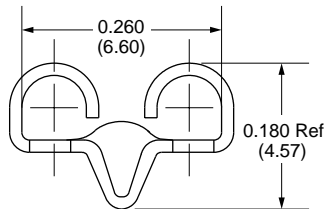
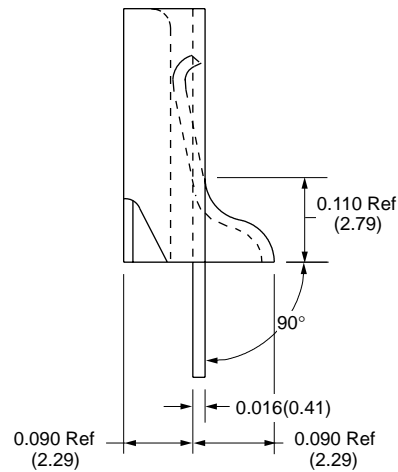
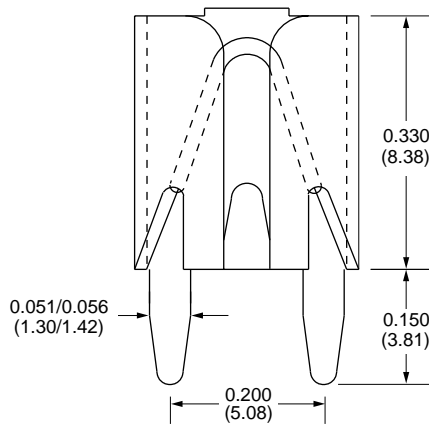


For exact finish specifications and available special finishes, see Finish Table (page 91).

0.205" (5.21mm) and 0.250" (6.35mm) Accu-Pak™ Receptacles

Loose Part No.	Reeled Part No.	Mating Terminal Size	Insertion Force-Max.	Withdrawal Force-Min.
1154-6	6154-6	0.250" x 0.025" (6.35mm x 0.64 mm) Tab or Fuse	5.0lbs (22.24N)*	1.5lbs (6.73N)*
1225-6	6225-6	0.250" x 0.032" (6.35mm x 0.81mm) Tab	10.0lbs (44.48N)*	1.5lbs (6.73N)*
Application Data				
Mounting Type	Stable-Lok™ Outward or Inward Splay	Mating Entry	Top	
Material Thickness/ Type	0.016" (0.41mm) Brass	Applicator System	Loose: ZPT81-A Reeled: Model 9700, 9718	
Standard Finish	Loose: 95/5 Matt Tin/Lead over Copper Reeled: 95/5 Matt Tin/Lead over Copper	Mounting Hole Diameter	0.052"±0.003" (1.32mm±0.076mm) on 0.200"±0.003" centers (5.08mm±0.076mm)	
Performance Data				
Current Rating	20 Ampere (with Brass Tab)			
Resistance Rating	1mΩ Max			
Temperature Rating	-65°C to 85°C			

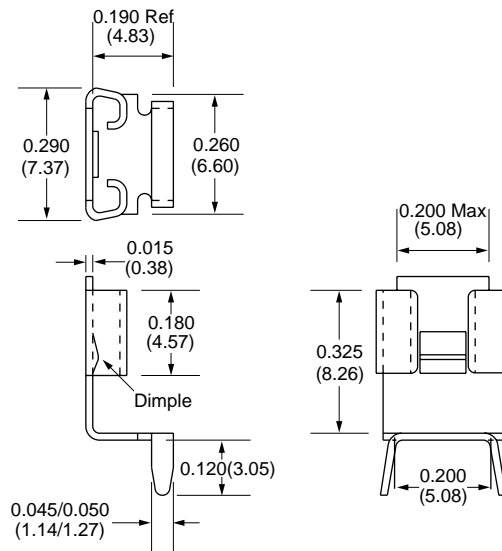
*with Steel Test Tab



Note: Insertion/Extraction ~ withdrawal forces will vary when using commercial fuses.
For exact finish specifications and available special finishes, see Finish Table (page 91).

0.250" (6.35mm) Accu-Pak™ Receptacles

Loose Part No.	Reeled Part No.	Mating Terminal Size
983	N/A	0.250" x 0.016" (6.35mm x 0.41mm) Tin/Brass Male
984	N/A	0.250" x 0.032" (6.35mm x 0.81mm) Tin/Brass Male
Application Data		
Mounting Type	Outward or Inward Splay	Mating Entry Top Side
Mating Type	Vertical	Applicator System Consult factory
Material Thickness/Type	0.015" (0.38mm) Brass	Mounting Hole Diameter 2 holes 0.052" ±0.003" (1.32mm±0.076mm) holes on 0.200" ±0.005" (5.08mm±0.127mm) centers
Standard Finish	100% Matt Tin over Copper	
Performance Data		
Current Rating	Part No. 983-10 Ampere Part No. 984-15 Ampere	
Resistance Rating	1mΩ Max	
Temperature Rating	-65°C to 85°C	



For exact finish specifications and available special finishes, see Finish Table (page 91).