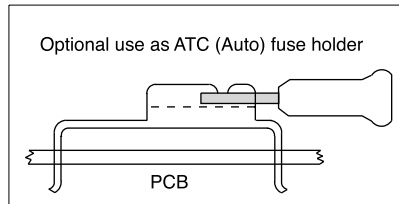
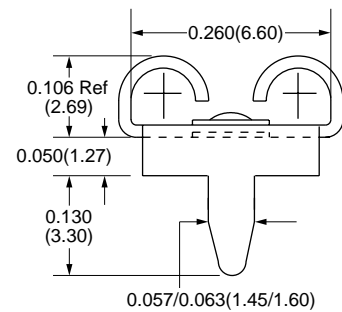
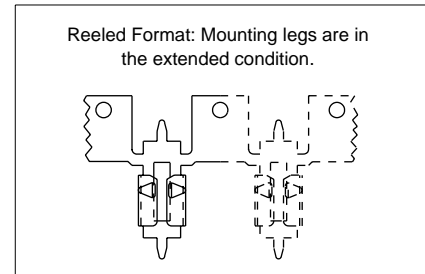
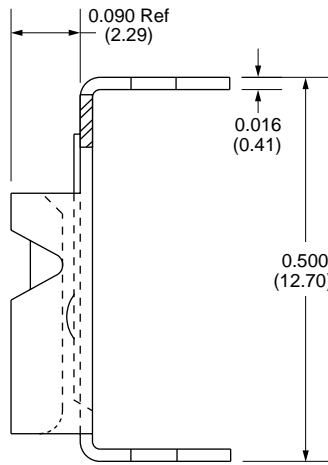
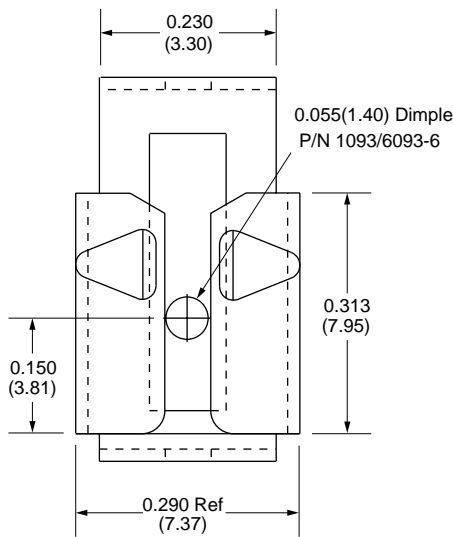


0.205" (5.21mm) and 0.250" (6.35mm) Accu-Pak™ Receptacles

Loose Part No.	Reeled Part No.	Mating Terminal Size	Insertion Force-Max.	Withdrawal Force-Min.
1093	6093-6	0.250" x 0.032" (6.35mm x 0.81mm) Tab 0.205" x 0.032" (5.21mm x 0.81mm) Tab	10.0lbs (44.48N)*	2.0lbs (8.90N)*
1090	6090-6	0.250" x 0.025" (6.35mm x 0.64mm) Tab 0.205" x 0.025" (5.21mm x 0.64mm) Tab		
Application Data				
Mounting Type	Outward or Inward Splay		Mating Entry	Horizontal
Mating Type	Horizontal		Applicator System	Consult factory
Material Thickness/Type	0.016" (0.41mm) Brass		Mounting Hole Diameter	2 holes 0.063"±0.003" (1.6mm±0.076mm) on 0.500"±0.003" centers (12.7mm±0.076mm)
Standard Finish	Loose: 95/5 Matt Tin/Lead over Copper Reeled: 95/5 Matt Tin/Lead over Copper			
Performance Data				
Current Rating	20 Ampere			
Resistance Rating	1mΩ Max			
Temperature Rating	-65°C to 85°C			

*with Steel Test Tab



For exact finish specifications and available special finishes, see Finish Table (page 91).