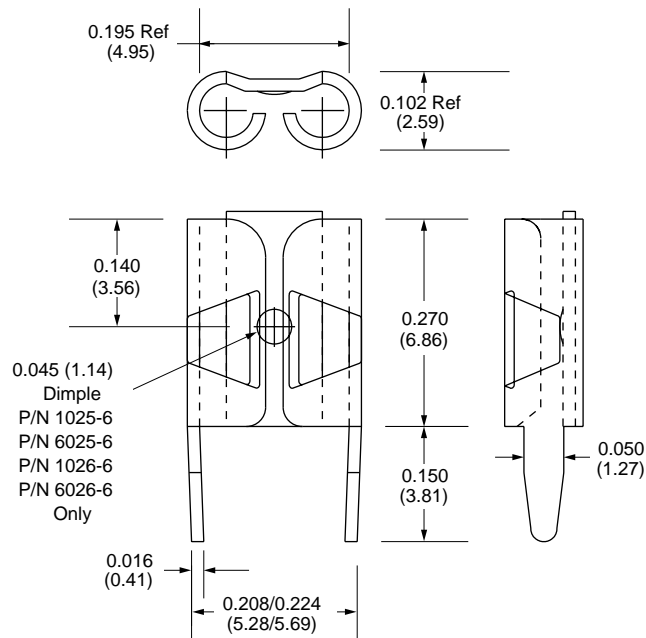


0.187" (4.75mm) Accu-Pak™ Receptacles

Loose Part No.	Reeled Part No.	Mating Terminal Size	
1241-6	6241-6	0.187" x 0.015" (4.75mm x 0.38mm) Tab	
1026	6026-6	0.187" x 0.020" (4.75mm x 0.51mm) Tab	
1025	6025-6	0.187" x 0.032" (4.75mm x 0.81mm) Tab	
Application Data			
Mounting Type	Outward or Inward Splay	Applicator System	Loose: ZPT81-A Reeled: Model 9700, 9718
Material Thickness/Type	0.016" (0.41mm) Brass	Mounting Hole Diameter	2 holes 0.052"±0.003" (1.321mm±0.076mm)
Standard Finish	Loose: 95/5 Matt Tin/Lead over Copper Reeled: 95/5 Matt Tin/Lead over Copper		
Performance Data			
Current Rating	15 Ampere		
Resistance Rating	1mΩ Max		
Temperature Rating	-65°C to 85°C		



For exact finish specifications and available special finishes, see Finish Table (page 91).