

# Bottom Entry 4 Beam Receptacles

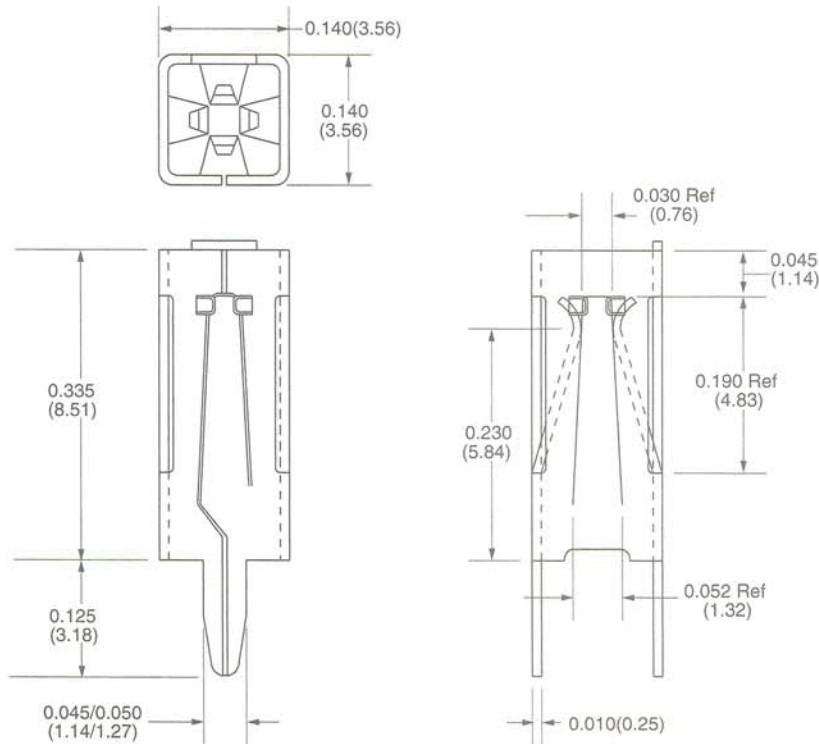
| Loose Part No. | Reeled Part No. | Mating Terminal Size              |
|----------------|-----------------|-----------------------------------|
| 1062-6         | 6062-6          | 0.060" (1.52mm) Rd. or Sq.        |
| 1062-300-6     | 6062-300-6      | 0.031" x 0.062" (0.79mm x 1.57mm) |
| 1062-400-6     | 6062-400-6      | 0.045" (1.14mm) Rd. or Sq.        |
| 1062-200-6     | 6062-200-6      | 0.090" (2.29mm) Rd. or Sq.        |

| Application Data               |   |  |
|--------------------------------|---|--|
| <b>Mounting Type</b>           | Outward Splay   | <b>Mating Entry</b> Bottom                         |
| <b>Material Thickness/Type</b> | 0.010" (0.25mm)<br>Phosphor Bronze  | <b>Applicator System</b>                           |
| <b>Standard Finish</b>         | Loose: 95/5 Matt Tin/Lead over Copper<br>Reeled: 95/5 Matt Tin/Lead over Copper | Loose: Consult factory<br>Reeled: Model 9700, 9718 |
| <b>Mating Type</b>             | Vertical  | <b>Mounting Hole Diameter</b>                      |
|                                |   | 0.150"±0.003"<br>(3.81mm±0.076mm)                  |

| Performance Data          |               |
|---------------------------|---------------|
| <b>Current Rating</b>     | 10 Ampere     |
| <b>Resistance Rating</b>  | 1mΩ Max       |
| <b>Temperature Rating</b> | -65° to 105°C |



For exact finish specifications and available special finishes, see Finish Table (page 91).