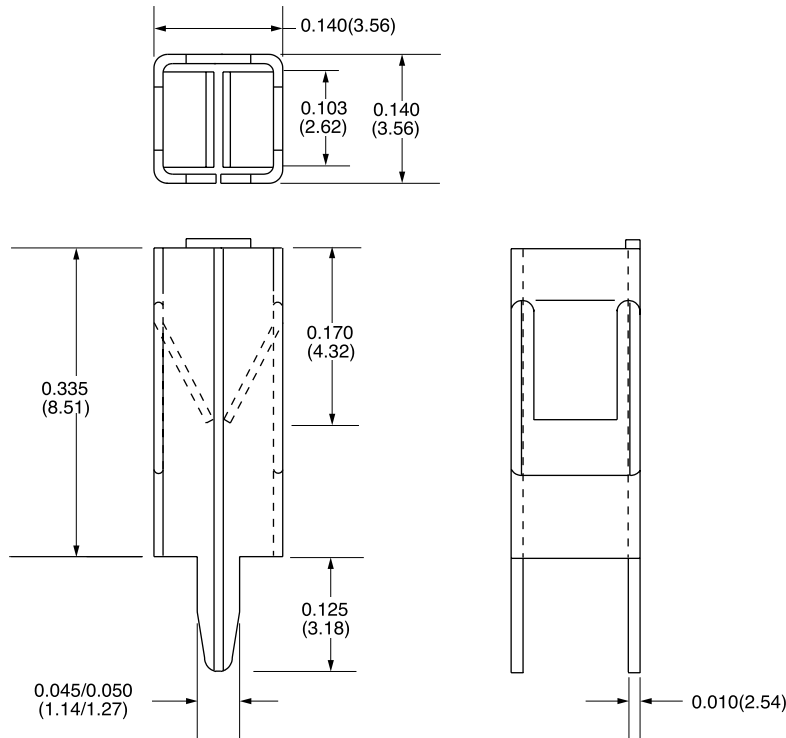


Top Entry 2 Beam Receptacles

Loose Part No.	Reeled Part No.	Mating Terminal Size	
1187-6	6187-6	0.025" (0.64mm) to 0.095" (2.41mm) Rd. or Sq.	
Application Data			
Mounting Type	Outward Splay	Mating Type	Vertical
Material Thickness/Type	0.010" (0.25mm) Phosphor Bronze	Applicator System	Loose: Consult factory Reeled: Model 9700, 9718
Standard Finish	Loose: 95/5 Matt Tin/Lead over Copper Reeled: 95/5 Matt Tin/Lead over Copper	Mounting Hole Diameter	2 holes 0.050"±0.003" (3.81mm±0.076mm) on 0.130"±0.003" centers (3.302mm±0.076mm)
Mating Entry	Top		
Performance Data			
Current Rating	10 Ampere	Insertion Force-Max.	Application Dependent /Submit Mating Terminal Sample To Factory
Resistance Rating	1mΩ Max	Withdrawal Force-Min.	Application Dependent /Submit Mating Terminal Sample To Factory
Temperature Rating	-65°C to 105°C		



For exact finish specifications and available special finishes, see Finish Table (page 91).