

Up-lok Terminals

UP-lok range is one of the main ranges used in the white goods industries

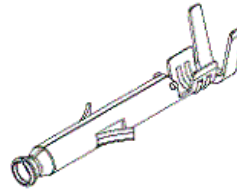
Within this range MINI UP-LOK and UP-LOK standard terminals are available.

RECEPTACLES

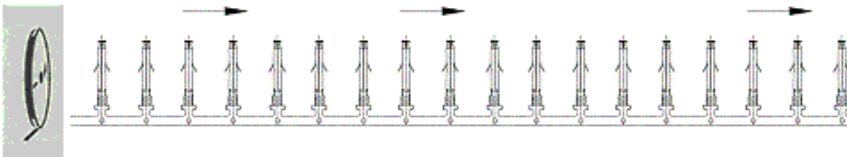
1 mm. MINI UP-LOK

MINI UP-LOK range has a diameter of 1 mm.

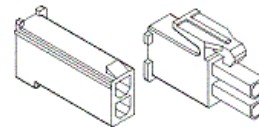
Available wire sizes are, 0.12-0.5 mm², 0.5-0.75 mm² y 0.3-0.9 mm², so from 26 to 18 AWG



Wire size mm ² (AWG)	0,12-0,9 (26-18)
Material thickness	0,2 mm
Materials	Base: Brass/Broze ; Finishing : Nat / Pre-Sn
Diameter	1 mm



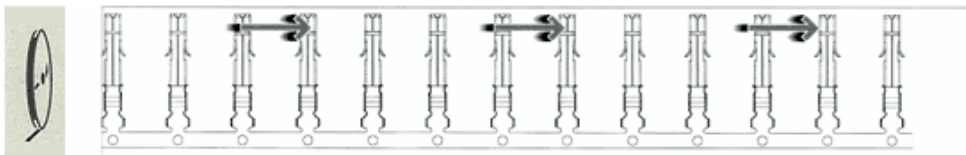
Available different connectors in multiple ways



2,12 mm UP-LOK

With a 2,12 mm diameter, UP-LOK terminals are used in the main wire harnesses for white goods

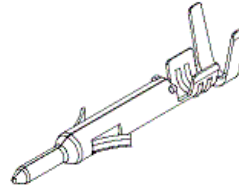
Wire size mm ² (AWG)	0,25-0,8 (24-18)
	0,5-2,1 (20-14)
Material thickness	0,3 mm
Materials	Base: brass - Finish: Pre-Sn
	Base: bronze - Finish: Pre-Sn
Diameter	2,12



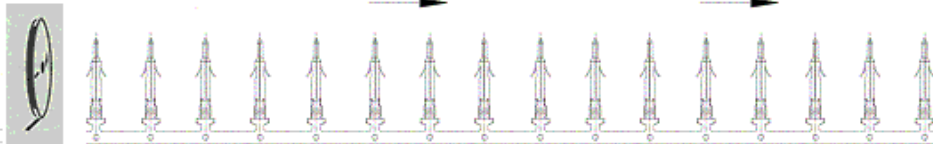
TABS

1 mm MINI UP-LOK

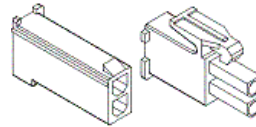
Complementary to MINI UP-LOK sockets, these ranges of pins has been created



Wire size mm ² (AWG)	0.12-0.9 mm ² (26-18)
Material thickness	0,2 mm
Materials	Base: Brass/Bronze ; Finishing: Nat/Pre-Sn
Diameter	1 mm

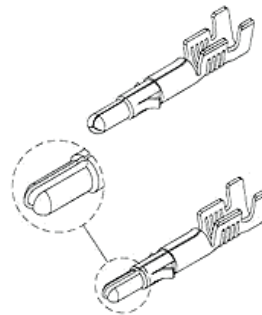


Available multiway connectors range.

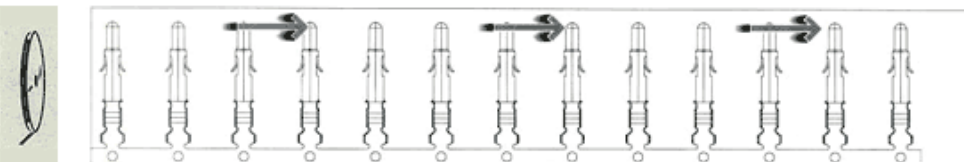


2,12 mm UP-LOK

There are two versions of the UP-LOK tabs, depending on the number of connectors to be used. For less than six-way connections, the standard version can be used. For greater than 6-way connections, the low-insertion version should be used.



Wire size mm ² (AWG)	0,25-0,8 (24-18)
	0,5-2,1 (20-14)
Material thickness	0,3 mm
Materials	Base: brass - Finish: Pre-Sn
	Base: bronze - Finish: Pre-Sn
Diameter	2,12



UP-LOK CONNECTORS

Within the range of standard connectors, we currently have available the entire range of tab and receptacle connectors. The available range offers connectors having 1, 2, 3, 4, 5, 6, 3x2, 3x3, 3x4 and 3x5 ways.

Both receptacle as well as tab connectors can be both tab holders or receptacle holders.

Newly included in the UP-LOK range are all connectors for printed circuit board. These connectors are available in 2,3,4,5,6,9,12, and 15 ways.

Pins for these connectors can be tab pins or receptacle pins, depending on the terminal of the other part.

UL APPROVED REFERENCES

UL

UP-lok connector series are UL approved as a complete connecting system



01. MINI UP-LOK Ø 1 mm SOCKETS

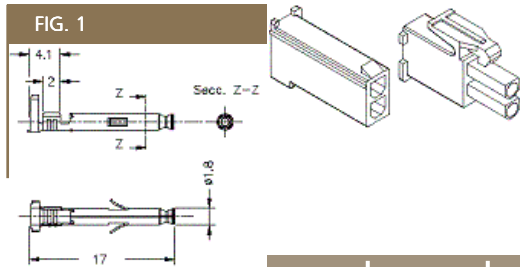
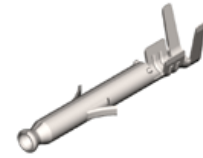


FIGURE	WIRE SIZE mm ² (AWG)	Ø INSULATION mm	Ø mm	STRIP FORM		MATERIAL	TREATMENT	MATERIAL WIDTH mm	PARTS COIL
				BASE	EXTENSION				
1	0,12-0,5 (26-20)	1,2-1,75	1	8540.	00	BRASS	-	0,2	8000
					01		PRE-SN		
					30	BRONZE	-		
					31		PRE-SN		
	0,3-0,9 (22-18)	1,5-2,8		8544.	00	BRASS	-		
					01		PRE-SN		
					30	BRONZE	-		
					31		PRE-SN		
	0,5-0,75 (20-18)	1,5-1,9		8542.	00	BRASS	-		
					01		PRE-SN		
					30	BRONZE	-		
					31		PRE-SN		

Range of connectors available

Up-lok Terminals

02. MINI UP-LOK Ø 1 mm PINS

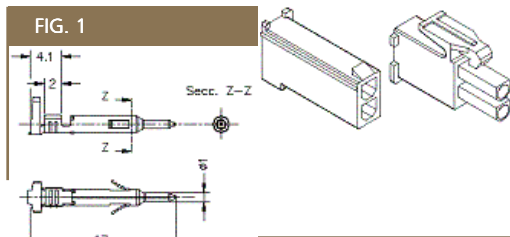


FIGURE	WIRE SIZE mm ² (AWG)	Ø INSULATION mm	Ø mm	STRIP FORM		MATERIAL	TREATMENT	MATERIAL WIDTH mm	PARTS COIL
				BASE	EXTENSION				
1	0,12-0,5 (26-20)	1,2-1,75	1	7540.	00	BRASS	-	0,2	8000
					01		PRE-SN		
					30	BRONZE	-		
					31		PRE-SN		
	0,3-0,9 (22-18)	1,5-2,8		7544.	00	BRASS	-		
					01		PRE-SN		
					30	BRONZE	-		
					31		PRE-SN		
	0,5-0,75 (20-18)	1,5-1,9		7542.	00	BRASS	-		
					01		PRE-SN		
					30	BRONZE	-		
					31		PRE-SN		

Various ways connectors range available

03. UP-LOK Ø 2,12 mm SOCKETS

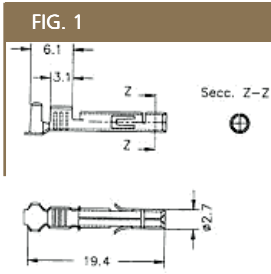
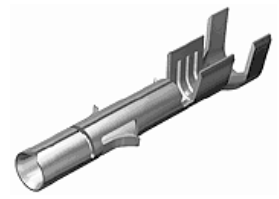


FIGURE	WIRE SIZE mm ² (AWG)	Ø INSULATION mm	Ø mm	STRIP FORM		MATERIAL	TREATMENT	MATERIAL WIDTH mm	PARTS COIL
				BASE	EXTENSION				
1	0,25-0,8 (24-18)	1-2,5	2,12	8520.	00	BRASS	-	0,3	7500
					01		PRE-SN		
					30	BRONZE	-		
					31		PRE-SN		
	0,5-2,1 (20-14)	1,5-3,3		8522.	00	BRASS	-		
					01		PRE-SN		
					30	BRONZE	-		
					31		PRE-SN		

Up-lok Terminals

04. UP-LOK Ø 2,12 mm PINS

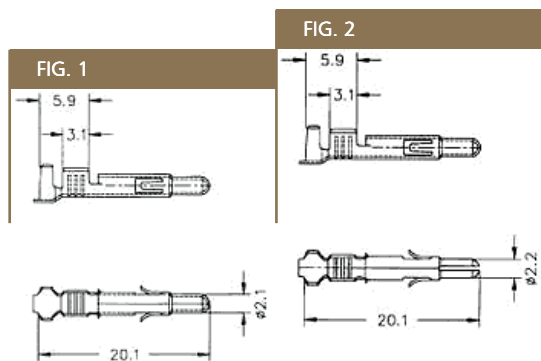
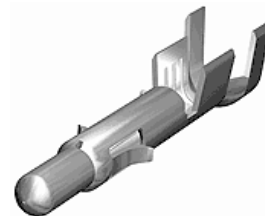


FIGURE	WIRE SIZE mm ² (AWG)	Ø INSULATION mm	Ø mm	STRIP FORM		MATERIAL	TREATMENT	MATERIAL WIDTH mm	PARTS COIL
				BASE	EXTENSION				
2	0,25-0,8 (24-18)	1-2,5	2,12	7524.	00	BRASS	-	0,3	7500
					01		PRE-SN		
					30	BRONZE	-		
					31		PRE-SN		
1				7520.	00	BRASS	-		
					01	PRE-SN			
					30	BRONZE	-		
					31	PRE-SN			
2	0,5-2,1 (20-14)	1,5-3,3	2,12	7526.	00	BRASS	-	6000	
					01		PRE-SN		
					30	BRONZE	-		
					31		PRE-SN		
1				7522.	00	BRASS	-		
					01	PRE-SN			
					30	BRONZE	-		
					31	PRE-SN			

05. CONNECTORS UP-LOK. 1-5 WAYS

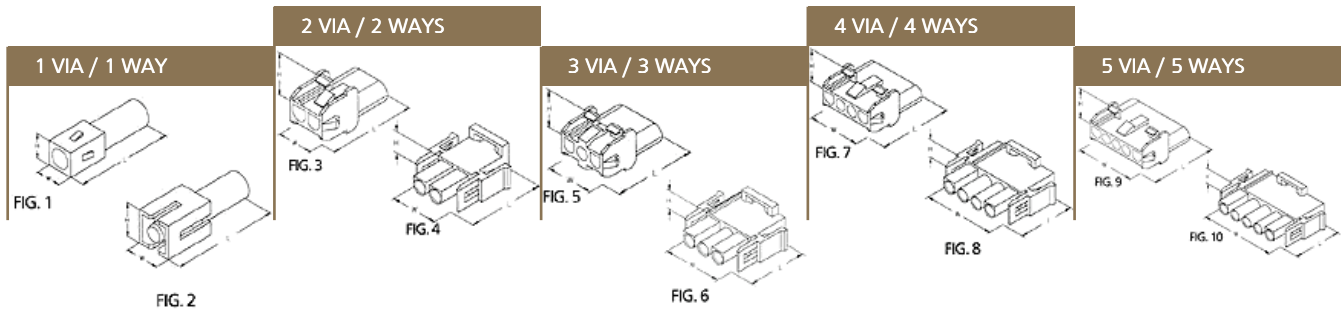


FIGURE	MATERIAL	REFERENCE	FOR TERMINAL	NUMBER OF WAYS	COLOUR	DIMENSIONS
						H-W-L
1	NYLON	2214110	7522.01	1	NATURAL	7,2-7,2-26,5
			8522.01			
10		2215710	7522.01	5		7,7-33-27,6
			8522.01			
2		2215110	7522.01	1		9,8-9,8-29
			8522.01			
3		2214210	7522.01	2		7,2-7,2-26,5
			8522.01			
4		2215210	7522.01	2		9,8-9,8-29
			8522.01			
5	2214310	7522.01	3	16-20,5-27,5		
		8522.01				
6	2215310	7522.01	3	7,7-20,5-27,5		
		8522.01				
7	2214410	7522.01	4	7,7-26,7-27,4		
		8522.01				
8	2215410	7522.01	4	7,7-26,7-27,6		
		8522.01				
9	2214710	7522.01	5	16-33-17,5		
		8522.01				

Consult about other colours.

06. UP-LOK CONNECTORS 5-15 WAYS

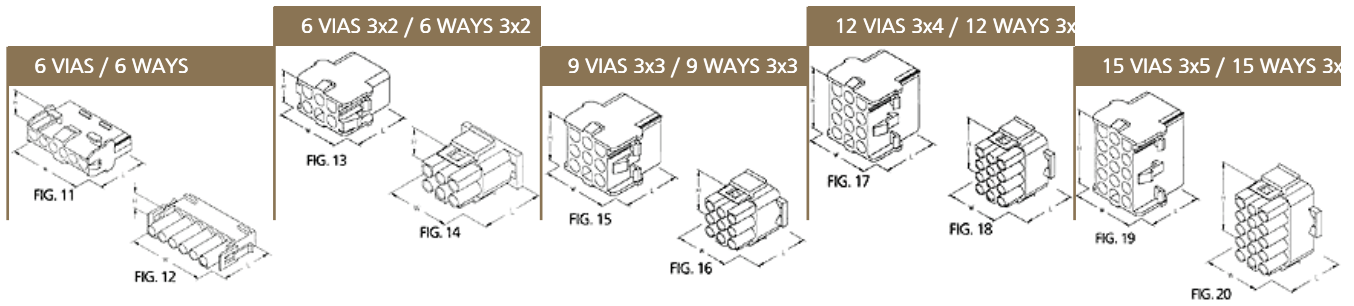


FIGURE	MATERIAL	REFERENCE	FOR TERMINAL	NUMBER OF WAYS	COLOUR	DIMMENSIONS
						H-W-L
11	NYLON	22146410	7522.01	6	NATURAL	16-39-27
			8522.01			
12		2215610	7522.01	6	NATURAL	7,7-39-27,5
			8522.01			
13		2214510	7522.01	6	GREEN	14-28-26,5
			8522.01			
14		2215510	7522.01	6 3x2	NATURAL	14-27,6-27,3
			8522.01			
14		2215514	7522.01	6 3x2	GREEN	14-27,6-27,3
			8522.01			
15		2214910	7522.01	9	NATURAL	20,3-28,3-27,4
			8522.01			
16		2215910	7522.01	9 3x3	NATURAL	14-27,7-27,4
			8522.01			
17		2216210	7522.01	12	NATURAL	28,4-26,5-27,4
			8522.01			
18		2217210	7522.01	12 3x4	NATURAL	27,5-26,6-27,6
			8522.01			
19		2216510	7522.01	15	NATURAL	28,5-33-27,4
			8522.01			
20	2217510	7522.01	15 3x5	NATURAL	27,5-33,2-27,6	
		8522.01				

Consult about other colours.

07. PCB UP-LOK CONNECTORS

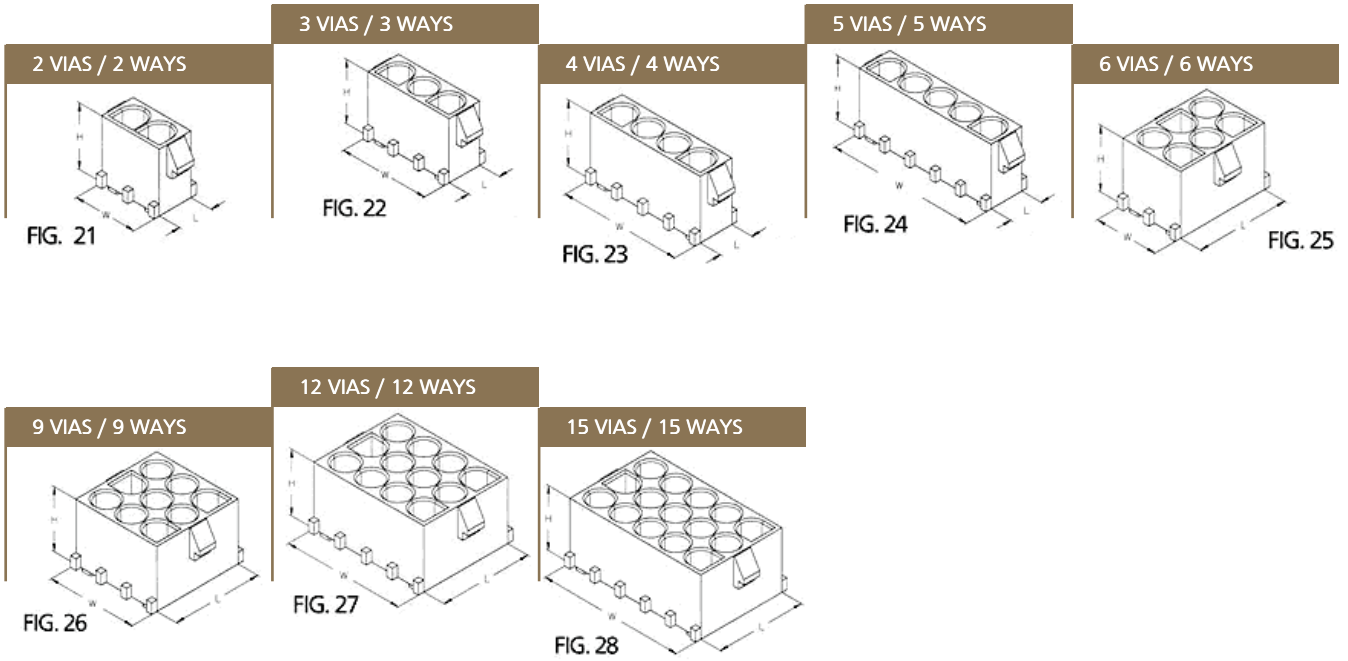


FIGURE	MATERIAL	REFERENCE	FOR TERMINAL	NUMBER OF WAYS	COLOUR	DIMMENSIONS
						H-W-L
21	NYLON	2210210	HEMBRA FEMALE	2	NATURAL	14-14-7,6
			MACHO MALE			
22		2210310	HEMBRA FEMALE	3		14-20,3-7,6
		2211310	MACHO MALE			
23		2210410	HEMBRA FEMALE	4		14-26,6-7,6
		2211410	MACHO MALE			
24		2210510	HEMBRA FEMALE	5		14-32,9-7,6
		2211510	MACHO MALE			
25		2210610	HEMBRA FEMALE	6		14-14-20,3
		2211610	MACHO MALE			
26		2210910	HEMBRA FEMALE	9		14-20,3-20,3
		2211910	MACHO MALE			
27	2212210	HEMBRA FEMALE	12	14-26,7-20,3		
	2213210	MACHO MALE				
28	2212510	HEMBRA FEMALE	15	14-33-20,3		
	2213510	MACHO MALE				

Consult about other colours.