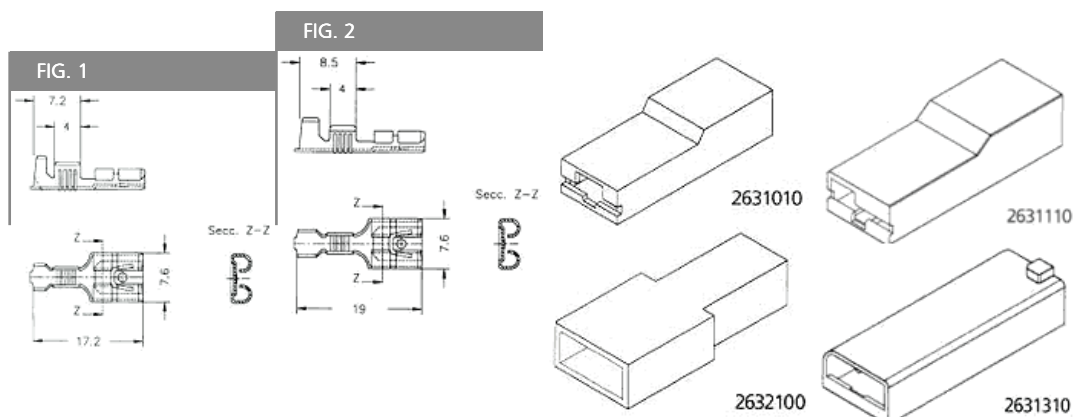


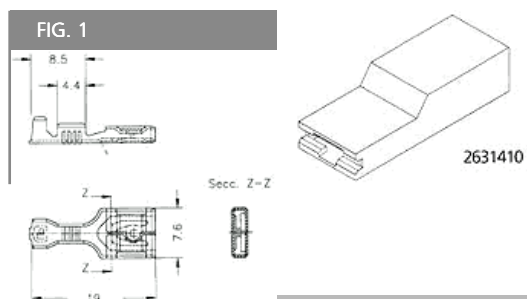
02. LOW INSERTION RECEPTACLES -UP-TBI



| FIGURE | WIRE SIZE mm ² (AWG) | Ø INSULATION mm | TAB THICKNESS mm | STRIP FORM | | MATERIAL | TREATMENT | MATERIAL WIDTH mm | PARTS COIL |
|--------|------------------------------------|--------------------|---------------------|------------|-----------|----------|-----------|----------------------|------------|
| | | | | BASE | EXTENSION | | | | |
| 1 | 0,5-1 (20-18) | 1,8-2,5 | 6,3x0,8 | 4840. | 00 | BRASS | - | 0,4 | 8000 |
| | | | | | 02 | | SN | | |
| | | | | | 30 | BRONZE | - | | |
| | | | | | 32 | | SN | | |
| 2 | | | | 4820. | 00 | BRASS | - | | |
| | | | | | 02 | | SN | | |
| | | | | | 30 | BRONZE | - | | |
| | | | | | 32 | | SN | | |
| 1 | 1-2,5 (18-14) | 3-4,3 | | 4842. | 00 | BRASS | - | | |
| | | | | | 02 | | SN | | |
| | | | | | 30 | BRONZE | - | | |
| | | | | | 32 | | SN | | |
| 2 | | | 4822. | 00 | BRASS | - | | | |
| | | | | 02 | | SN | | | |
| | | | | 30 | BRONZE | - | | | |
| | | | | 32 | | SN | | | |
| 1 | 2,5-4 (14-12) | 3,8-5 | 4844. | 00 | BRASS | - | | | |
| | | | | 02 | | SN | | | |
| | | | | 30 | BRONZE | - | | | |
| | | | | 32 | | SN | | | |
| 2 | 2,5-6 (14-10) | | 4824. | 00 | BRASS | - | | | |
| | | | | 02 | | SN | | | |
| | | | | 30 | BRONZE | - | | | |
| | | | | 32 | | SN | | | |

6,3 (.250) Type Series Terminals

03. LOW INSERTION RECEPTACLES UP-TP



| FIGURE | WIRE SIZE mm ² (AWG) | Ø INSULATION mm | TAB THICKNESS mm | STRIP FORM | | MATERIAL | TREATMENT | MATERIAL WIDTH mm | PARTS COIL |
|--------|------------------------------------|--------------------|---------------------|------------|-----------|-----------|-----------|----------------------|------------|
| | | | | BASE | EXTENSION | | | | |
| 1 | 0,5-1,5 (20-16) | 2-3,3 | 6,3x0,8 | 4831. | 00 | BRASS | - | 0,4 | 8000 |
| | | | | | 01 | BRASS | PRE-SN | | |
| | | | | | 24 | STEEL | NI | | |
| | | | | | 30 | BRONZE | - | | |
| | | | | | 31 | BRONZE | PRE-SN | | |
| | | | | | 70 | NI SILVER | - | | |
| | 0,5-1 (20-18) | 1,8-2,5 | | 4830. | 00 | BRASS | PRE-SN | | |
| | | | | | 01 | BRASS | PRE-SN | | |
| | | | | | 24 | STEEL | NI | | |
| | | | | | 30 | BRONZE | - | | |
| | 1-2,5 (18-14) | 3-4,3 | | 4832. | 31 | BRONZE | PRE-SN | | |
| | | | | | 70 | NI SILVER | - | | |
| | | | | | 00 | BRASS | PRE-SN | | |
| | | | | | 01 | BRASS | PRE-SN | | |
| | 2,5-5 (14-10) | 3,6-5 | | 4834. | 24 | STEEL | NI | | |
| | | | | | 30 | BRONZE | - | | |
| | | | | | 31 | BRONZE | PRE-SN | | |
| | | | | | 70 | NI SILVER | - | | |
| | | | | | 00 | BRASS | PRE-SN | | |
| | | | | | 01 | BRASS | PRE-SN | | |
| 24 | STEEL | NI | | | | | | | |
| 30 | BRONZE | - | | | | | | | |
| 31 | BRONZE | PRE-SN | | | | | | | |
| 70 | NI SILVER | - | | | | | | | |
| 7000 | 6000 | | | | | | | | |

6,3 (.250) Type Series Terminals