

9,5 (.375) Type Series Terminals

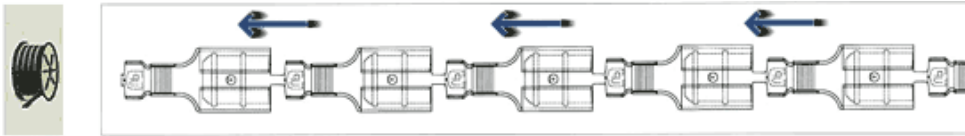
For the last standard connection range, the 9,5 mm series is used for connections with high electric levels.

Its main use is within the automotive market.

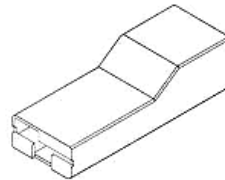
RECEPTACLES

UP-STA

Wire size mm ² (AWG)	1-2,5 (18-14)
	2,5-6 (14-10)
	3-6 (12-10)
	6-10 (10-8)
Material thickness	0,5 mm
For tab	9,5 x 1,2 mm
Materials	Base: brass - Finish: Nat, Sn
	Base: bronze - Finish: Nat, Sn



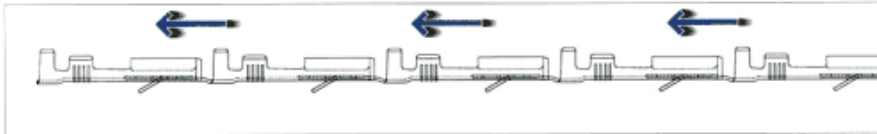
Standard housing for these terminals is 2951010.



RECEPTACLES FOR CONNECTORS

UP-STA

Wire size mm ² (AWG)	1-2,5 (18-14)
	3-6 (12-10)
	6-10 (10-8)
Material thickness	0,5 mm
For tab	9,5 x 1,2 mm
Materials	Base: brass - Finish: Nat, Sn
	Base: bronze - Finish: Nat, Sn



01. RECEPTACLES

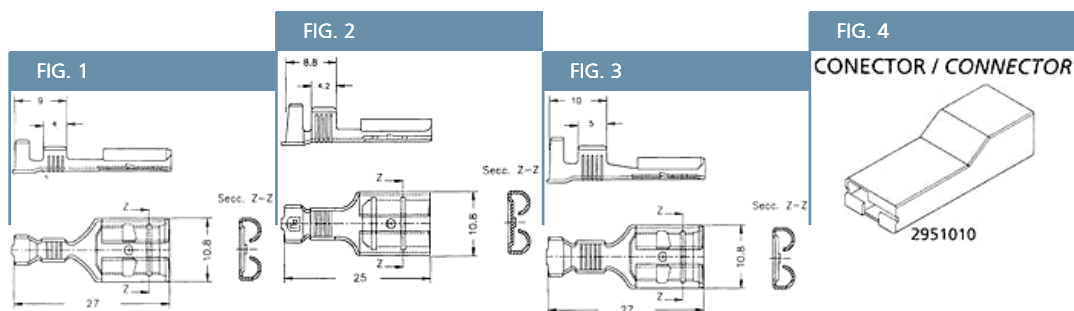
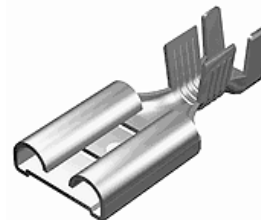


FIGURE	WIRE SIZE mm ² (AWG)	Ø INSULATION mm	TAB THICKNESS mm	DIN	STRIP FORM BASE	PART Nº		MATERIAL	TREATMENT	MATERIAL WIDTH mm	PARTS COIL
							EXTENSION				
1	1-2,5 (18-14)	2,4-3,7	9,5x1,2	Esp	4480.	00	BRASS	-	0,5	3000	
						02	BRASS	SN			
						30	BRONZE	-			
						32	BRONZE	SN			
2	2,5-6 (14-10)	3,8-5	46247	4478.	00	BRASS	-				
					02	BRASS	SN				
					30	BRONZE	-				
					32	BRONZE	SN				
3	3-6 (12-10)	3,8-5,1	Esp	4482.	00	BRASS	-				
					02	BRASS	SN				
					30	BRONZE	-				
					32	BRONZE	SN				
	6-10 (10-8)	4,6-6,6		4484.	00	BRASS	-				
					02	BRASS	SN				
					30	BRONZE	-				
					32	BRONZE	SN				

9,5 (.375) Type Series Terminals

02. RECEPTACLES FOR CONNECTOR

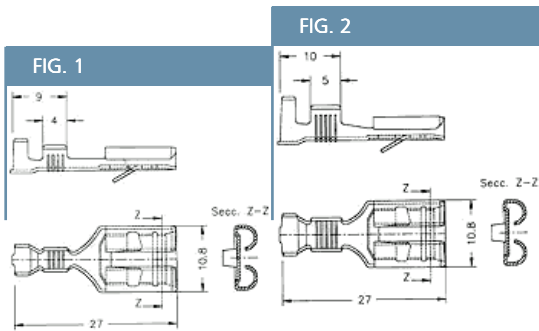
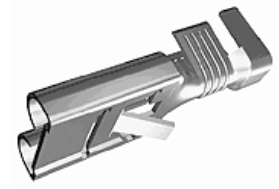


FIGURE	WIRE SIZE mm ² (AWG)	Ø INSULATION mm	TAB THICKNESS mm	DIN	STRIP FORM		MATERIAL	TREATMENT	MATERIAL WIDTH mm	PARTS COIL
					BASE	EXTENSION				
1	1-2,5 (18-14)	2,4-3,7	9,5x1,2	Esp	4380.	00	BRASS	-	0,5	3000
						02	BRASS	SN		
						30	BRONZE	-		
						32	BRONZE	SN		
2	3-6 (12-10)	3,8-5,1	9,5x1,2	Esp	4382.	00	BRASS	-	0,5	2500
						02	BRASS	SN		
						30	BRONZE	-		
						32	BRONZE	SN		
	6-10 (10-8)	4,6-6,6	9,5x1,2	Esp	4384.	00	BRASS	-	0,5	2000
						02	BRASS	SN		
						30	BRONZE	-		
						32	BRONZE	SN		

9,5 (.375) Type Series Terminals