

5 (.187) Type Series Terminals

Some years ago, 5 mm terminals were one of the main standard systems applied to the automotive industry

01. RECEPTACLES

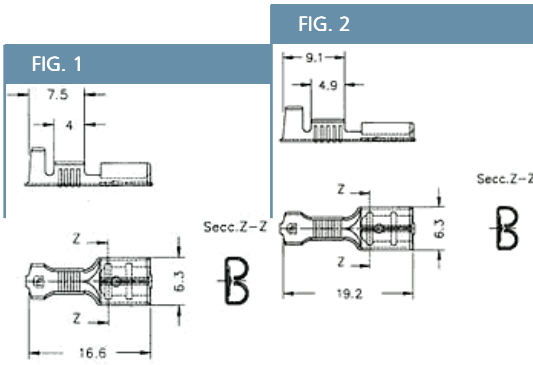
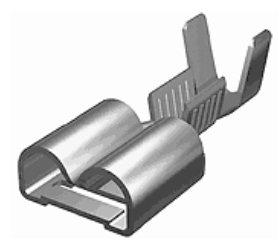


FIGURE	WIRE SIZE mm ² (AWG)	Ø INSULATION mm	TAB THICKNESS mm	STRIP FORM		MATERIAL	TREATMENT	MATERIAL WIDTH mm	PARTS COIL	
				BASE	EXTENSION					
1	1-2,5 (18-14)	3-4,3	5x0,5	4472.	00	BRASS	-	0,4	9000	
					02	BRASS	SN			
					30	BRONZE	-			
					32	BRONZE	SN			
2				4476.	00	BRASS	-			8000
					02	BRASS	SN			
					30	BRONZE	-			
					32	BRONZE	SN			
1	3-4,3	5x0,8	4468.	00	BRASS	-	0,4	9000		
				02	BRASS	SN				
				30	BRONZE	-				
				32	BRONZE	SN				
2			4466.	00	BRASS	-			8000	
				02	BRASS	SN				
				30	BRONZE	-				
				32	BRONZE	SN				

5 (.187) Type Series Terminals

02. SELF LOCKING RECEPTACLES



FIG. 1

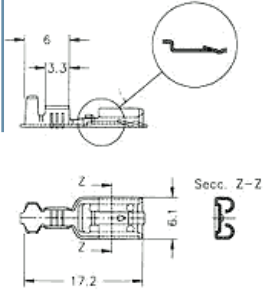


FIGURE	WIRE SIZE mm ² (AWG)	Ø INSULATION mm	TAB THICKNESS mm	STRIP FORM		MATERIAL	TREATMENT	MATERIAL WIDTH mm	PARTS COIL
				BASE	EXTENSION				
1	0,5-1,25 (20-16)	1,8-4,1	5,2x0,5	4766.	00	BRASS	-	0,35	10000
					02		SN		
					30	BRONZE	-		
					32		SN		
			5,2x0,8	4767.	00	BRASS	-		
					02		SN		
					30	BRONZE	-		
					32		SN		

03. RECEPTACLES FOR CONNECTOR



FIG. 1

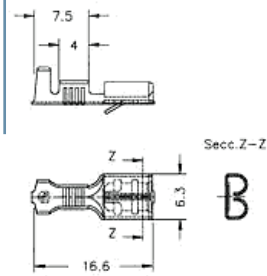


FIGURE	WIRE SIZE mm ² (AWG)	Ø INSULATION mm	TAB THICKNESS mm	STRIP FORM		MATERIAL	TREATMENT	MATERIAL WIDTH mm	PARTS COIL
				BASE	EXTENSION				
1	1-2,5 (18-14)	3-4,3	5,2x0,8(1)	4370.	00	BRASS	-	0,4	9000
					02		SN		
					30	BRONZE	-		
					32		SN		

(1) Ask for tab thickness of 0,5 mm.

04. FLAGS / FLAGS FOR CONNECTOR

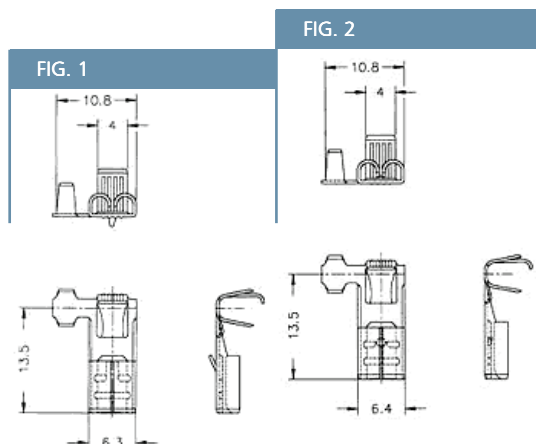


FIGURE	WIRE SIZE mm ² (AWG)	Ø INSULATION mm	TAB THICKNESS mm	STRIP FORM		MATERIAL	TREATMENT	MATERIAL WIDTH mm	PARTS COIL
				BASE	EXTENSION				
1	0,5-1,5 (20-16)	2-3,3	5x0,5	5372.	00	BRASS	-	0,4	3000
					02		SN		
					30	BRONZE	-		
					32		SN		
2				5372.	00	BRASS	-		
					02		SN		
					30	BRONZE	-		
					32		SN		
1	5376.	5x0,8	00	BRASS	-				
			02		SN				
			30	BRONZE	-				
			32		SN				
2		5476.	00	BRASS	-				
			02		SN				
			30	BRONZE	-				
			32		SN				

05. LOW INSERTION FLAGS UP-TP



FIG. 1

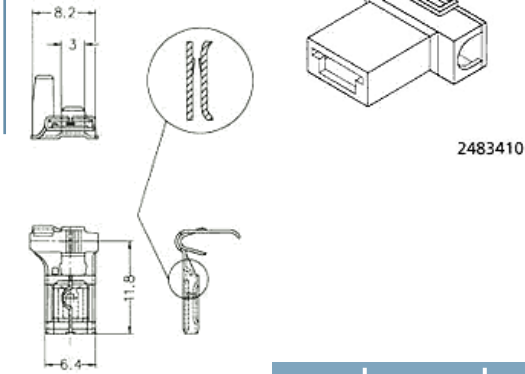


FIGURE	WIRE SIZE mm ² (AWG)	Ø INSULATION mm	TAB THICKNESS mm	STRIP FORM		PART N°	MATERIAL	TREATMENT	MATERIAL WIDTH mm	PARTS COIL
				BASE	EXTENSION					
1	0,5-1,5 (20-16)	1,9-3,3	5x0,5	5872.	00	BRASS	-	0,35	5000	
					01		PRE-SN			
					24	STEEL	NI			
					30	BRONZE	-			
			31	PRE-SN						
			5x0,8	5876.	00	BRASS	-			
					01		PRE-SN			
					24	STEEL	NI			
	30	BRONZE			-					
	31		PRE-SN							
	1-2,5 (18-14)	2,7-3,8	5x0,5	5874.	00	BRASS	-			
					01		PRE-SN			
					24	STEEL	NI			
					30	BRONZE	-			
			31	PRE-SN						
			5x0,8	5878.	00	BRASS	-			
01					PRE-SN					
24					STEEL	NI				
30	BRONZE	-								
31		PRE-SN								

5 (.187) Type Series Terminals

06. TABS

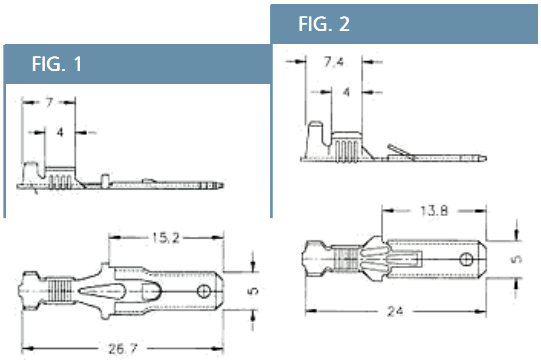


FIGURE	WIRE SIZE mm ² (AWG)	Ø INSULATION mm	TAB THICKNESS mm	STRIP FORM		MATERIAL	TREATMENT	MATERIAL WIDTH mm	PARTS COIL
				BASE	EXTENSION				
1	0,5-1 (20-18)	1,5-2,1 FLR	5x0,8	6768.	00	BRASS	-	0,4	5000
					01		PRE-SN		
					30	BRONZE	-		
					31		PRE-SN		
		6772.		00	BRASS	-			
				01		PRE-SN			
				30	BRONZE	-			
				31		PRE-SN			
2	1-2,5 (18-14)	3-4,3	6466.	00	BRASS	-	7000		
1	1-3 (18-12)			01		PRE-SN			
				6776.	00	BRASS		-	
					01			PRE-SN	
		30	BRONZE	-	5000				
31	PRE-SN								

5 (.187) Type Series Terminals

07. HOUSINGS 1 WAY

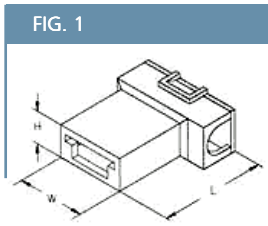


FIGURE	MATERIAL	REFERENCE	FOR TERMINAL	NUMBER OF WAYS	COLOUR	DIMMENSIONS	FAMILY
1	NYLON	2483410	5872.00	1	NATURAL	H-W-L 3,7-8-14,7	HOUSINGS 1 WAY

Consult about other colours.

HOUSINGS 1 WAY

08. SPECIAL CONNECTORS

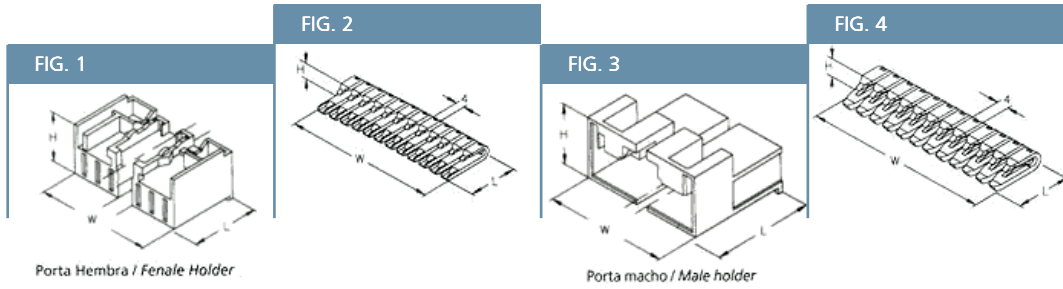


FIGURE	MATERIAL	REFERENCE	FOR TERMINAL	NUMBER OF WAYS	COLOUR	DIMMENSIONS	FAMILY
						H-W-L	
2	NYLON	2505210	-	2	NATURAL	16-11,8-22	SPECIAL CONNECTORS
		2505215			BLACK		
		2505310		3	NATURAL	16-16,8-22	
		2505315			BLACK		
		2505410		4	NATURAL	16-21,8-22	
		2505415			BLACK		
		2505510		5	NATURAL	16-27-22	
		2505515			BLACK		
		2505610		6	NATURAL	16-32-22	
		2505612			YELLOW		
2505614	GREEN						
2505615	BLACK						
3		2507015	-	-	5,3-59-19		
4	NYLON	2504210	-	2	NATURAL	19-15-32	SPECIAL CONNECTORS
		2504215			BLACK		
		2504410		4	NATURAL	19-25-32	
		2504415			BLACK		
		2504610		6	NATURAL	19-35-32	
		2504612			YELLOW		
		2504614			GREEN		
2504615	BLACK						
5		2507013	-	RED	6,2-59-16		

Consult about other colours.