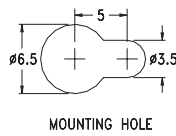
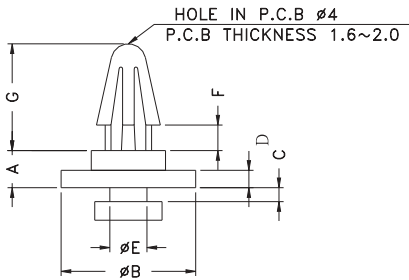


PCB Support 15.ACB~



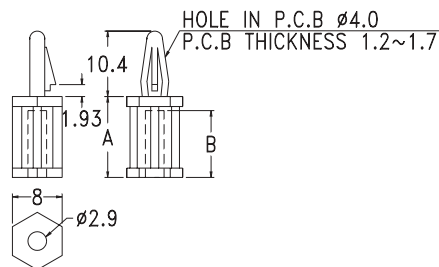
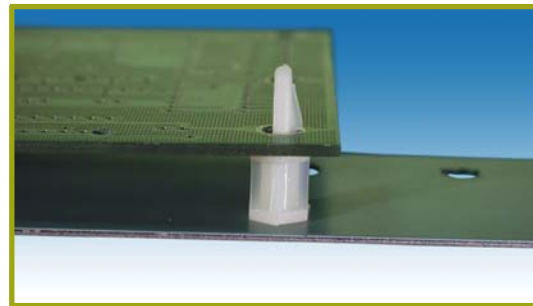
- Material: Nylon 66 (UL)
- Flame Class: 94-V2
- Color: Natural
- Unit: mm

Part	A	B	C	D	E	F	G	Pack Size
ACB-2.5	2.5	11.5	1.4	1.5	2.8	2.0	9.0	1000
ACB-3	3.2	11.6	1.2	1.5	3.2	2.2	9.2	1000

- Material: Nylon 66 (UL)
- Flame Class: 94-V2
- Color: Natural
- Unit: mm

Part	A	B	C	D	Pack Size
ACB-5	5.0	11.7	1.3	1.8	1000
ACB-6	6.3	11.6	1.3	1.8	1000
ACB-8	8.0	11.6	1.4	1.8	1000
ACB-68	68.0	11.3	1.3	1.4	250
ACB-74	74.00	11.3	1.3	1.4	250

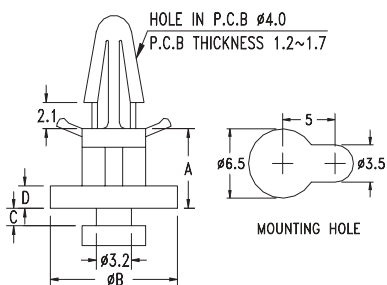
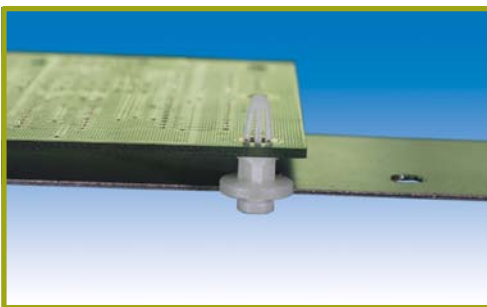
PCB Support 15.BS~



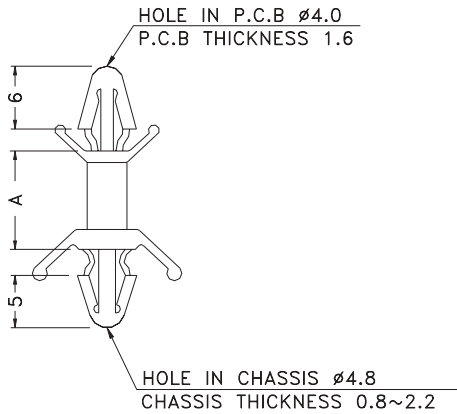
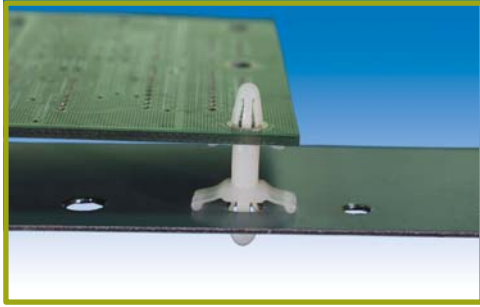
- Material: Nylon 66 (UL)
- Flame Class: 94-V2
- Color: Natural
- Unit: mm

Part	A	B	Pack Size
BS-6	6.4	4.8	1000
BS-9	9.6	8.0	1000
BS-12	12.8	11.0	1000
BS-14	14.0	12.7	1000
BS-15	16.0	13.0	1000
BS-19	19.2	16.2	1000
BS-22	22.4	19.4	1000
BS-25	25.6	24.0	1000
BS-28	29.0	25.9	1000

PCB Support 15.ACB~



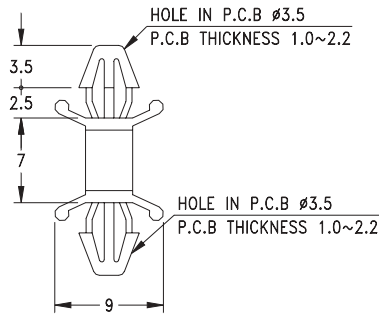
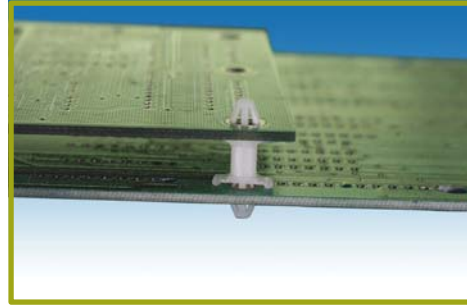
PCB Support 15.CBS~



- Material: Nylon 66 (UL)
- Flame Class: 94-V2
- Color: Natural
- Unit: mm

Part	A	Pack Size
CBS-5	5.6	1000
CBS-6	6.3	1000
CBS-9	9.2	1000
CBS-12	12.5	1000
CBS-15	15.7	1000
CBS-19	19.0	1000
CBS-22	22.0	1000
CBS-25	25.4	1000
CBS-28	28.6	1000

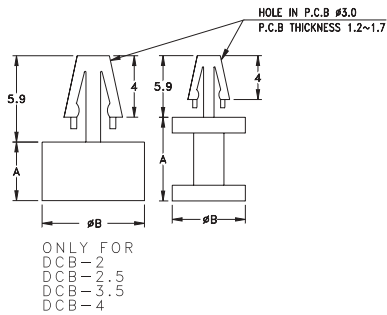
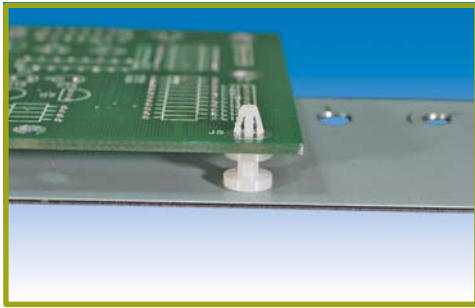
PCB Support 15.CBSS-7



- Material: Nylon 66 (UL)
- Flame Class: 94-V2
- Color: Natural
- Unit: mm

Part	Pack Size
CBSS-7	2000

PCB Support 15.DCB~



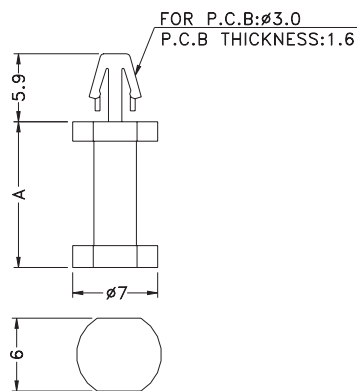
- Material: Nylon 66 (UL)
- Flame Class: 94-V2
- Color: Natural
- Unit: mm

Part	A	B	Pack Size
DCB-2	2.0	6.5	2000
DCB-2.5	2.5	6.5	2000
DCB-3.5	3.5	6.8	1000
DCB-4	4.0	6.8	1000
DCB-5	5.0	6.0	1000
DCB-6	6.0	6.8	1000
DCB-6.5	6.5	6.0	1000
DCB-7	7.0	6.0	1000
DCB-8	8.0	6.8	1000
DCB-10	10.0	6.8	1000
DCB-15	15.0	6.0	1000

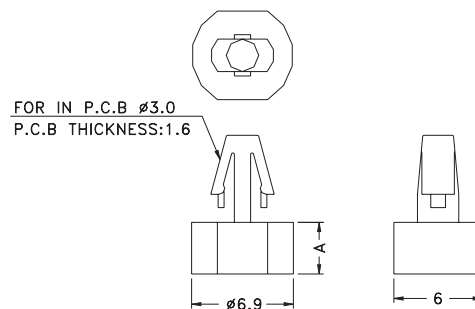
PCB Support 15.DCB~D



- Material: Nylon 66 (UL)
- Flame Class: 94-V2
- Color: Natural
- Unit: mm

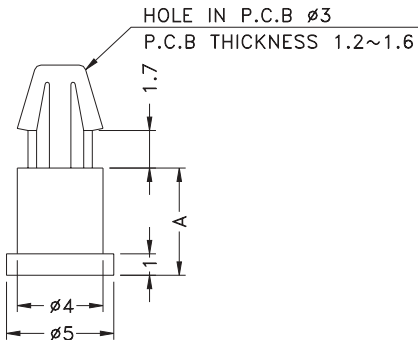


Part	A	Pack Size
DCB-11D	11.0	1000
DCB-12D	12.0	1000



Part	A	Pack Size
DCB-3D	3.0	2000
DCB-3.5D	3.5	2000

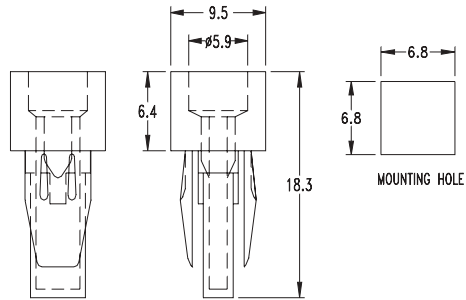
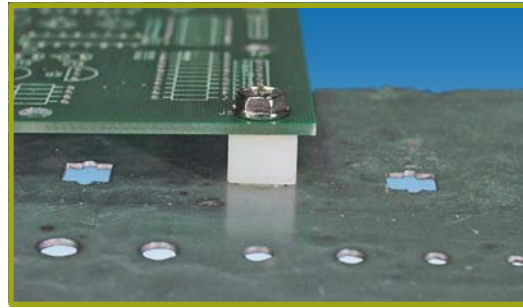
PCB Support 15.DCC~



- Material: Nylon 66 (UL)
- Flame Class: 94-V2
- Color: Natural
- Unit: mm

Part	A	Pack Size
DCC-2	2.0	2000
DCC-2.5	2.5	2000
DCC-3	3.0	1000
DCC-3.5	3.5	1000
DCC-4	4.0	1000
DCC-4.5	4.5	1000
DCC-5	5.0	1000
DCC-5.5	5.5	1000
DCC-6	6.0	1000
DCC-6.5	6.5	1000

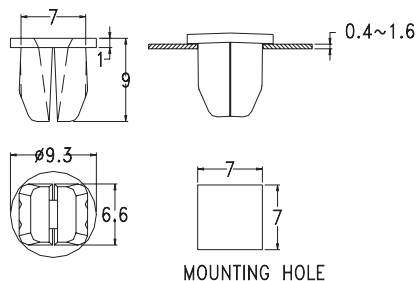
PCB Support 15.ES-1



- Material: Nylon 66 (UL)
- Flame Class: 94-V2
- Color: Natural
- Unit: mm

Part	Pack Size
ES-1	1000

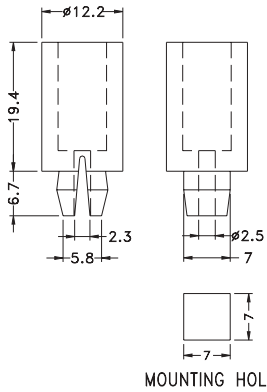
PCB Support 15.ESS-1



- Material: Nylon 66 (UL)
- Flame Class: 94-V2
- Color: Natural
- Unit: mm

Part	Pack Size
ESS-1	1000

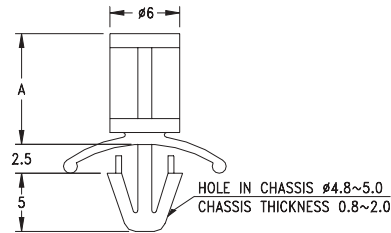
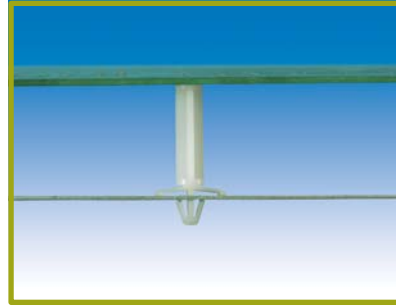
PCB Support 15.ESS-19



- Material: Nylon 66 (UL)
- Flame Class: 94-V2
- Color: Natural
- Unit: mm

Part	Pack Size
ESS-1	1000

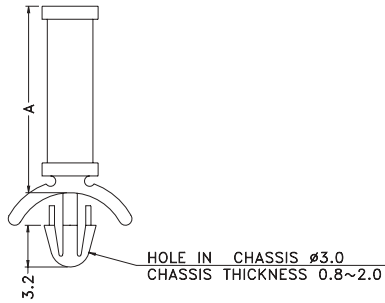
PCB Support 15.LAS~



- Material: Nylon 66 (UL)
- Flame Class: 94-V2
- Color: Natural
- Unit: mm

Part	A	Pack Size
LAS-3	3.5	1000
LAS-5	4.8	1000
LAS-6	6.0	1000
LAS-6A	6.4	1000
LAS-8	7.9	1000
LAS-9	9.5	1000
LAS-11	11.1	1000
LAS-12	12.7	1000
LAS-16	15.9	1000
LAS-19	19.1	1000
LAS-22	22.2	1000
LAS-25	25.4	1000
LAS-28	28.6	500
LAS-31	31.7	500
LAS-35	34.9	500

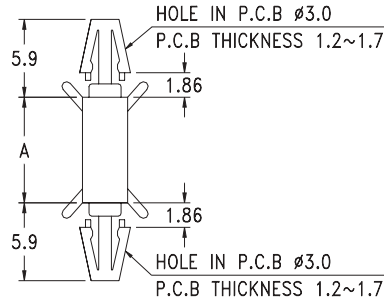
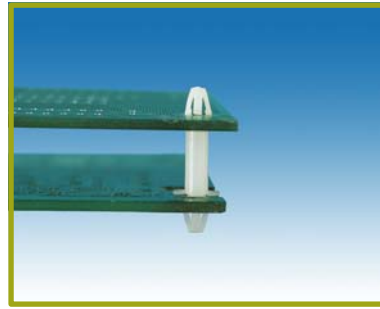
PCB Support 15.LBS~



- Material: Nylon 66 (UL)
- Flame Class: 94-V2
- Color: Natural
- Unit: mm

Part	A	Pack Size
LBS-3	3.2	1000
LBS-5	4.8	1000
LBS-6	6.4	1000
LBS-8	7.9	1000
LBS-9	9.5	1000
LBS-11	11.1	1000
LBS-12	12.7	1000
LBS-14	14.3	1000
LBS-15	15.9	1000
LBS-19	19.0	1000

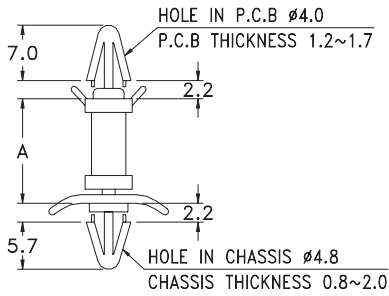
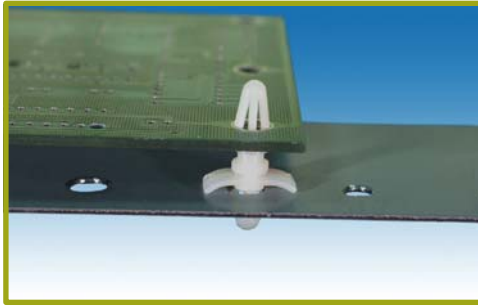
PCB Support 15.LCA~



- Material: Nylon 66 (UL)
- Flame Class: 94-V2
- Color: Natural
- Unit: mm

Part	A	Pack Size
LCA-6	6.3	1000
LCA-8	8.0	1000
LCA-10	10.0	1000
LCA-12	12.7	1000

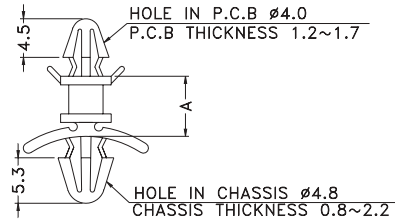
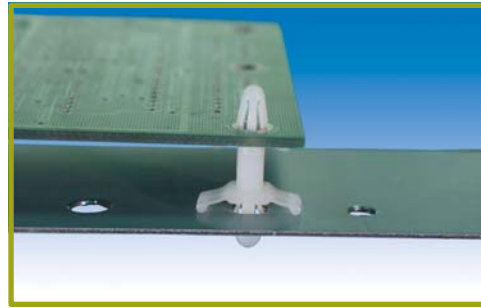
PCB Support 15.LCB~



- Material: Nylon 66 (UL)
- Flame Class: 94-V2
- Color: Natural
- Unit: mm

Part	A	Pack Size
LCB-5	5.0	1000
LCB-6	6.3	1000
LCB-8	8.0	1000
LCB-10	10.0	1000
LCB-12	12.7	1000
LCB-15	15.9	1000
LCB-20	20.0	1000
LCB-25	25.0	1000

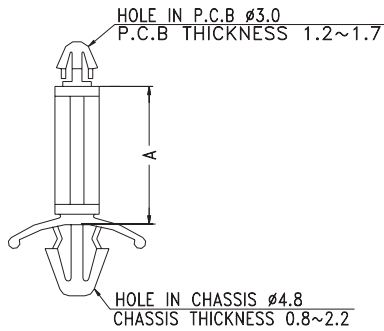
PCB Support 15.LCBS~



- Material: Nylon 66 (UL)
- Flame Class: 94-V2
- Color: Natural
- Unit: mm

Part	A	Pack Size
LCBS-4	4.0	1000
LCBS-5	5.0	1000
LCBS-6	6.35	1000
LCBS-7	7.0	1000
LCBS-9	9.2	1000
LCBS-10	10.0	1000
LCBS-12	12.5	1000
LCBS-15	15.7	1000
LCBS-19	19.0	1000
LCBS-20	20.0	500
LCBS-22	22.0	500
LCBS-25	25.4	500
LCBS-28	28.6	500
LCBS-30	30.0	500
LCBS-35	35.0	500
LCBS-38	38.0	500
LCBS-45	45.0	500

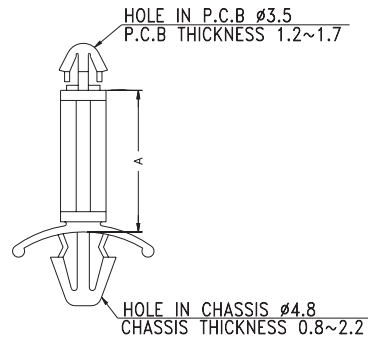
PCB Support 15.LCBT~



- Material: Nylon 66 (UL)
- Flame Class: 94-V2
- Color: Natural
- Unit: mm

Part	A	Pack Size
LCBT-3	3.2	1000
LCBT-5	4.8	1000
LCBT-6	6.3	1000
LCBT-8	8.0	1000
LCBT-10	10.0	1000
LCBT-12	12.0	1000
LCBT-14	14.0	1000
LCBT-16	16.0	1000
LCBT-18	18.0	1000

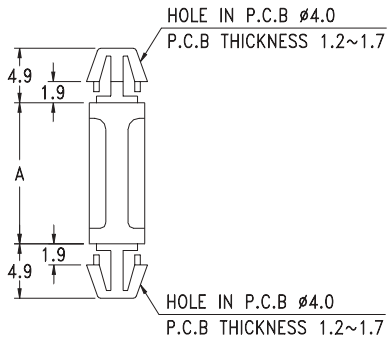
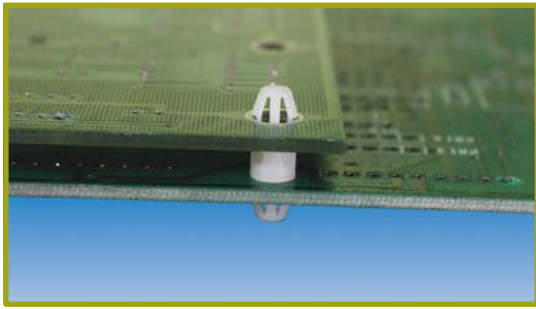
PCB Support 15.LCBU~



- Material: Nylon 66 (UL)
- Flame Class: 94-V2
- Color: Natural
- Unit: mm

Part	A	Pack Size
LCBU-3	3.2	1000
LCBU-5	4.8	1000
LCBU-6	6.3	1000
LCBU-8	8.0	1000
LCBU-10	10.0	1000
LCBU-12	12.0	1000
LCBU-14	14.0	1000
LCBU-16	16.0	1000
LCBU-18	18.0	1000

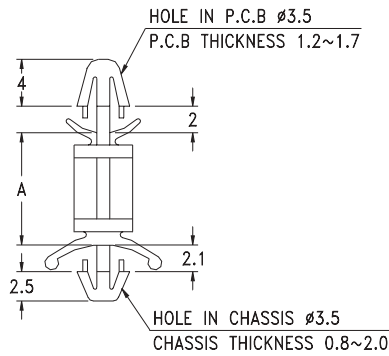
PCB Support 15.LCC~



- Material: Nylon 66 (UL)
- Flame Class: 94-V2
- Color: Natural
- Unit: mm

Part	A	Pack Size
LCC-3	3.5	2000
LCC-5	5.0	2000
LCC-6	6.4	1000
LCC-8	8.0	1000
LCC-10	10.5	1000
LCC-11.5	11.5	1000
LCC-12	12.7	1000
LCC-15	15.9	1000
LCC-19	19.0	1000
LCC-20	20.0	1000
LCC-25	25.0	1000
LCC-27	27.0	1000
LCC-30	30.0	1000
LCC-34	34.0	1000
LCC-71	71.2	500
LCC-72	72.0	500
LCC-74	74.2	500
LCC-80	80.0	500

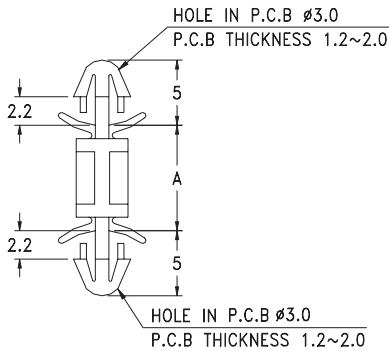
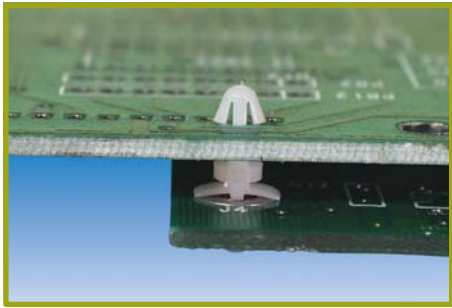
PCB Support 15.LCD~



- Material: Nylon 66 (UL)
- Flame Class: 94-V2
- Color: Natural
- Unit: mm

Part	A	Pack Size
LCD-3	3.2	2000
LCD-4	4.0	2000
LCD-5	4.8	1000
LCD-6	6.4	1000
LCD-7	7.0	1000
LCD-8	8.0	1000
LCD-9	9.6	1000
LCD-11	11.2	1000
LCD-12	12.7	1000
LCD-16	16.0	1000
LCD-19	19.1	1000

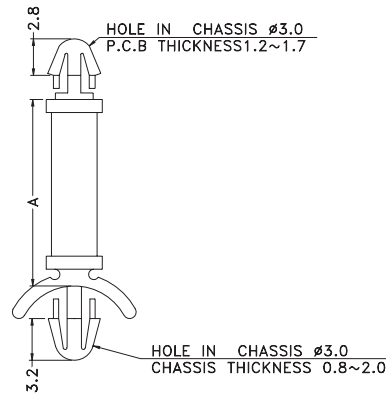
PCB Support 15.LCF~



- Material: Nylon 66 (UL)
- Flame Class: 94-V2
- Color: Natural
- Unit: mm

Part	A	Pack Size
LCF-3	3.2	1000
LCF-5	5.0	1000
LCF-6	6.35	1000
LCF-7	7.0	1000
LCF-8	8.0	1000
LCF-9	9.5	1000
LCF-11	11.2	1000
LCF-12	12.0	1000
LCF-15	15.0	1000
LCF-17	17.0	1000
LCF-20	20.2	1000
LCF-25	25.4	1000

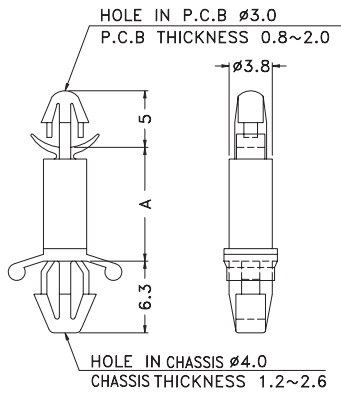
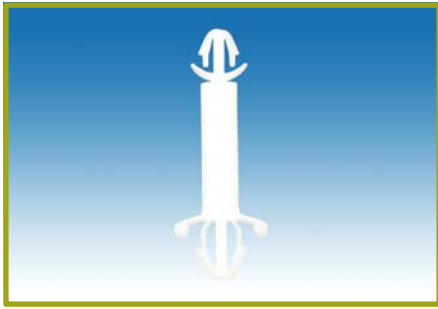
PCB Support 15.LCG~



- Material: Nylon 66 (UL)
- Flame Class: 94-V2
- Color: Natural
- Unit: mm

Part	A	Pack Size
LCG-3	3.2	1000
LCG-5	4.8	1000
LCG-6	6.4	1000
LCG-8	7.9	1000
LCG-9	9.5	1000
LCG-11	11.1	1000
LCG-12	12.7	1000
LCG-14	14.3	1000
LCG-15	15.9	1000
LCG-19	19.0	1000

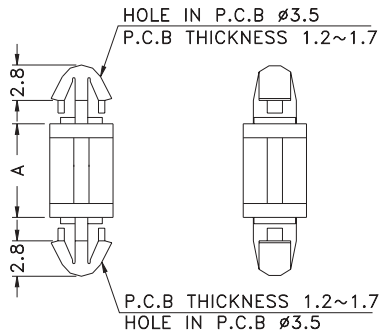
PCB Support 15.LCH~



- Material: Nylon 66 (UL)
- Flame Class: 94-V2
- Color: Natural
- Unit: mm

Part	A	Pack Size
LCH-3	3.5	2000
LCH-5	5.0	2000
LCH-6	6.3	1000
LCH-7	7.4	1000
LCH-10	10.0	1000
LCH-11	11.0	1000
LCH-12	12.7	1000
LCH-15	15.9	1000

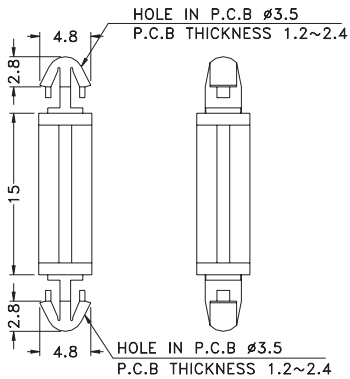
PCB Support 15.LCI~



- Material: Nylon 66 (UL)
- Flame Class: 94-V2
- Color: Natural
- Unit: mm

Part	A	Pack Size
LCI-3	3.0	2000
LCI-3.5	3.5	2000
LCI-4	4.0	2000
LCI-4.5	4.5	2000
LCI-5	5.0	2000
LCI-5.5	5.5	1000
LCI-6	6.0	1000
LCI-6.5	6.35	1000
LCI-7	7.0	1000
LCI-8	8.0	1000
LCI-9	9.0	1000
LCI-10	10.0	1000
LCI-11	11.0	1000
LCI-12	12.0	1000
LCI-15	15.0	1000

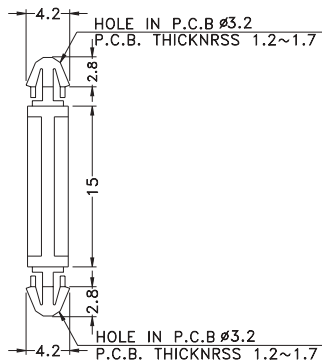
PCB Support 15.LCI-15(2)



- Material: Nylon 66 (UL)
- Flame Class: 94-V2
- Color: Natural
- Unit: mm

Part	Pack Size
LCI-15(2)	1000

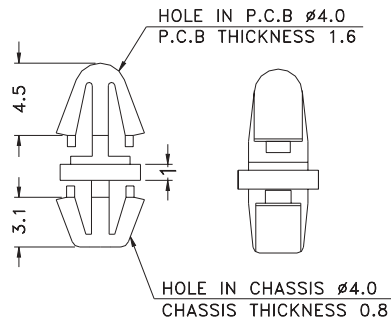
PCB Support 15.LCJ-15



- Material: Nylon 66 (UL)
- Flame Class: 94-V2
- Color: Natural
- Unit: mm

Part	Pack Size
LCJ-15	1000

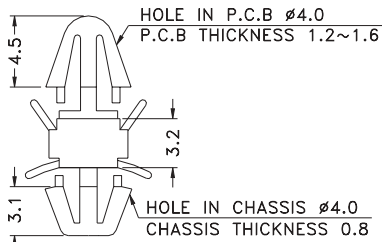
PCB Support 15.LCK-1



- Material: Nylon 66 (UL)
- Flame Class: 94-V2
- Color: Natural
- Unit: mm

Part	Pack Size
LCK-1	2000

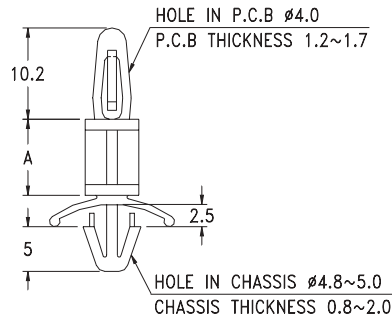
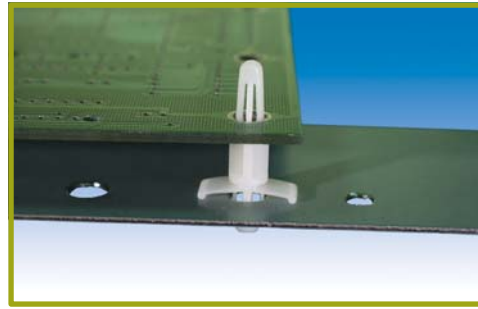
PCB Support 15.LCL-3.2



- Material: Nylon 66 (UL)
- Flame Class: 94-V2
- Color: Natural
- Unit: mm

Part	Pack Size
LCL-3.2	2000

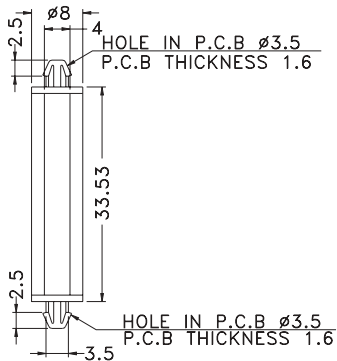
PCB Support 15.LCS~



- Material: Nylon 66 (UL)
- Flame Class: 94-V2
- Color: Natural
- Unit: mm

Part	A	Pack Size
LCS-3	3.5	1000
LCS-5	4.8	1000
LCS-6	6.0	1000
LCS-6A	6.4	1000
LCS-8	7.9	1000
LCS-9	9.5	1000
LCS-11	11.1	1000
LCS-12	12.7	1000
LCS-16	15.9	1000
LCS-19	19.1	1000
LCS-22	22.2	1000
LCS-25	25.4	1000
LCS-28	28.6	1000
LCS-31	31.7	1000
LCS-35	34.9	1000

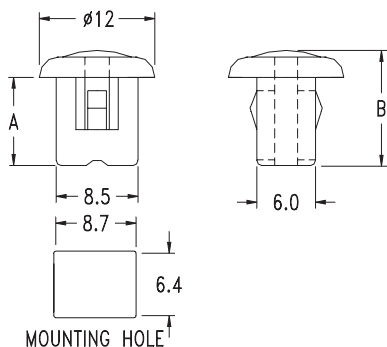
PCB Support 15.LDE-33



- Material: Nylon 66 (UL)
- Flame Class: 94-V2
- Color: Natural
- Unit: mm

Part	Pack Size
LDE-33	1000

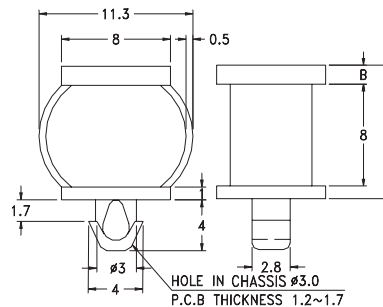
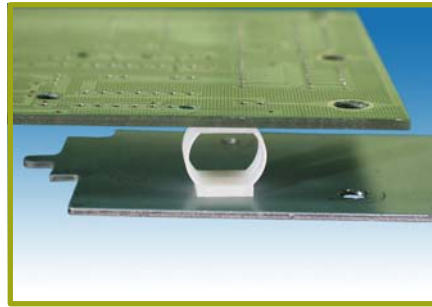
PCB Support 15.LHC~



- Material: Nylon 66 (UL)
- Flame Class: 94-V2/94-V0
- Color: Natural
- Unit: mm

Part	A	B	Pack Size
LHC-8	8.4	10.8	1000
LHC-12	12.5	14.9	1000

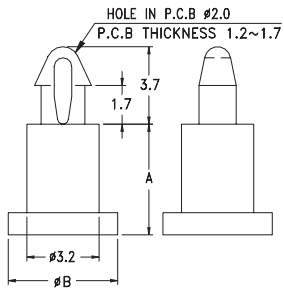
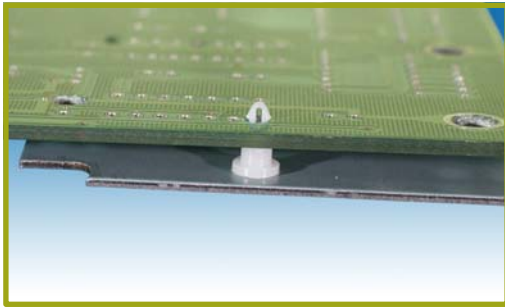
PCB Support 15.LIO~



- Material: Nylon 66 (UL)
- Flame Class: 94-V2/94-V0
- Color: Natural
- Unit: mm

Part	A	B	Pack Size
LIO-10	10	1	2000
LIO-10.5	10.5	1.5	2000

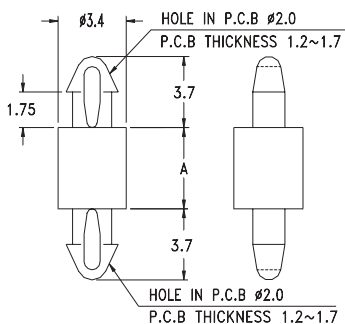
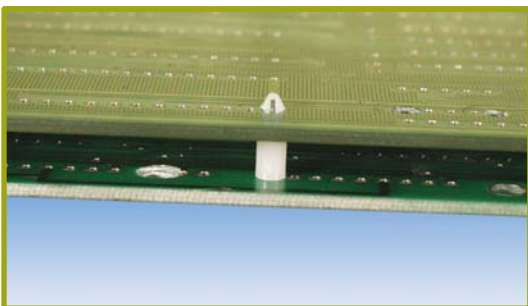
PCB Support 15.MA~



- Material: Nylon 66 (UL)
- Flame Class: 94-V2/94-V0
- Color: Natural
- Unit: mm

Part	A	B	Pack Size
MA-3	3.0	4.8	2000
MA-4	4.0	4.8	2000
MA-5	5.0	4.8	2000
MA-6	6.0	5.0	2000
MA-6.5	6.5	5.0	2000

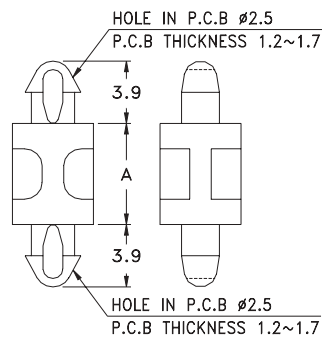
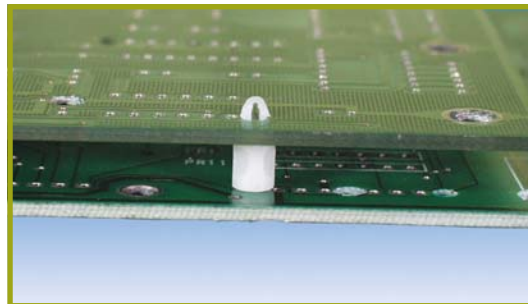
PCB Support 15.MAD~



- Material: Nylon 66 (UL)
- Flame Class: 94-V2/94-V0
- Color: Natural
- Unit: mm

Part	A	Pack Size
MAD-4	4.0	2000
MAD-6	6.0	2000
MAD-6.5	6.5	2000
MAD-8	8.0	2000
MAD-10	10.5	2000

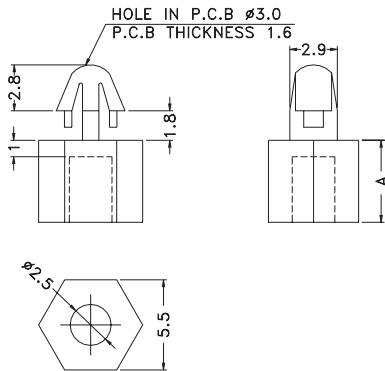
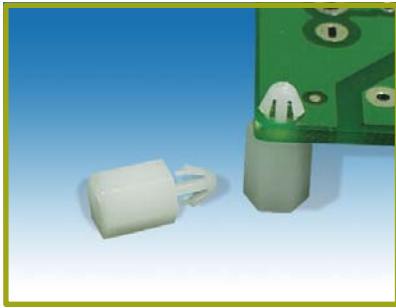
PCB Support 15.MADM~



- Material: Nylon 66 (UL)
- Flame Class: 94-V2/94-V0
- Color: Natural
- Unit: mm

Part	A	Pack Size
MADM-2	2.0	2000
MADM-4	4.0	2000
MADM-5	5.0	2000
MADM-6	6.0	2000
MADM-7.5	7.5	2000
MADM-8	8.0	2000
MADM-10A	10.0	2000
MADM-10	10.5	2000

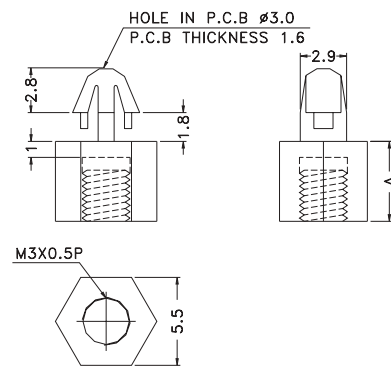
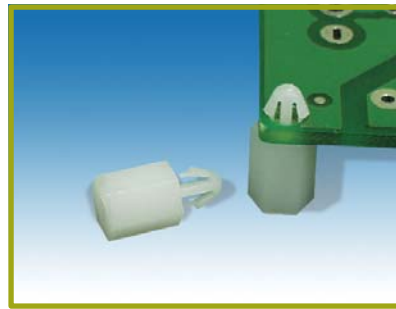
PCB Support 15.MAE~



- Material: Nylon 66 (UL)
- Flame Class: 94-V2
- Color: Natural
- Unit: mm

Part	A	Pack Size
MAE-5	5.0	2000
MAE-6	6.0	2000
MAE-7	7.0	2000
MAE-8	8.0	2000
MAE-9	9.0	2000
MAE-10	10.0	2000

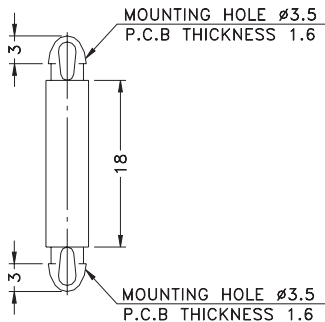
PCB Support 15.MAE~T



- Material: Nylon 66 (UL)
- Flame Class: 94-V2
- Color: Natural
- Unit: mm

Part	A	Pack Size
MAE-5T	5.0	2000
MAE-6T	6.0	2000
MAE-7T	7.0	2000
MAE-8T	8.0	2000
MAE-9T	9.0	2000
MAE-10T	10.0	2000

PCB Support 15.MAF-18



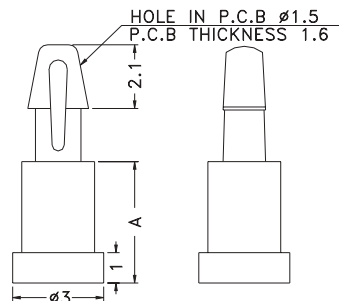
- Material: Nylon 66 (UL)
- Flame Class: 94-V2
- Color: Natural
- Unit: mm

Part	Pack Size
MAF-18	1000

- Material: Nylon 66 (UL)
- Flame Class: 94-V2
- Color: Natural
- Unit: mm

Part	A	Pack Size
MAM-1.5	1.5	2000
MAM-2.5	2.5	2000
MAM-3	3.0	2000
MAM-3.5	3.5	2000
MAM-4	4.0	2000
MAM-4.5	4.5	2000
MAM-5	5.0	2000
MAM-6	6.0	2000

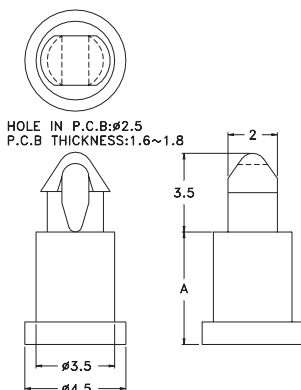
PCB Support 15.MASS~



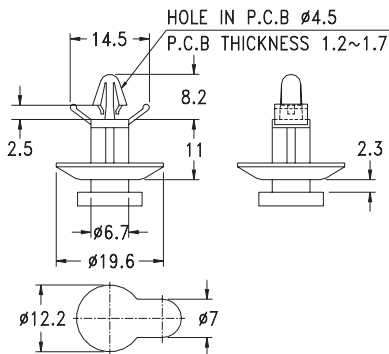
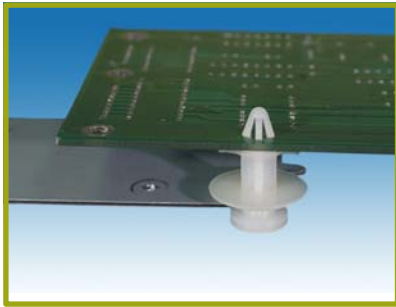
- Material: Nylon 66 (UL)
- Flame Class: 94-V2
- Color: Natural
- Unit: mm

Part	A	Pack Size
MASS-2	2.0	2000
MASS-2.5	2.5	2000
MASS-3	3.0	2000
MASS-3.5	3.5	2000
MASS-4	4.0	2000
MASS-5	5.0	2000
MASS-6	6.0	2000
MASS-6.5	6.5	2000

PCB Support 15.MAM~



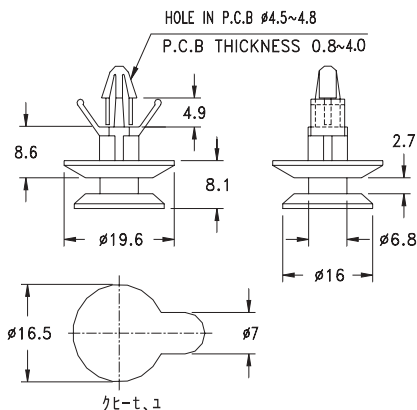
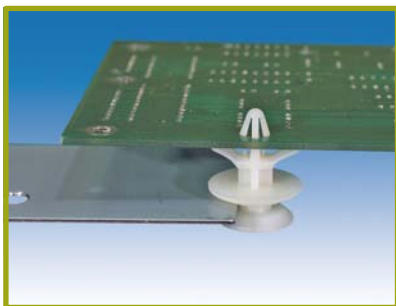
PCB Support 15.MBC-11



- MOUNTING HOLE
- Material: Nylon 66 (UL)
 - Flame Class: 94-V2
 - Color: Natural
 - Unit: mm

Part	Pack Size
MBC-11	500

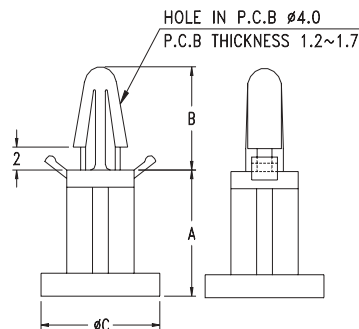
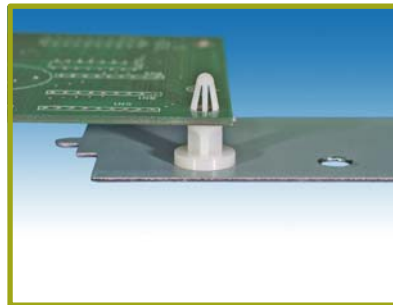
PCB Support 15.MBD-10



- Material: Nylon 66 (UL)
- Flame Class: 94-V2
- Color: Natural
- Unit: mm

Part	Pack Size
MBD-10	500

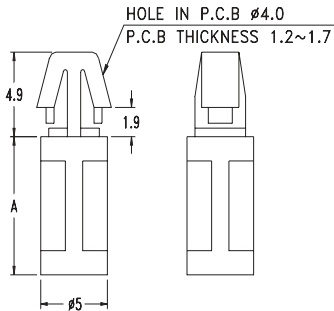
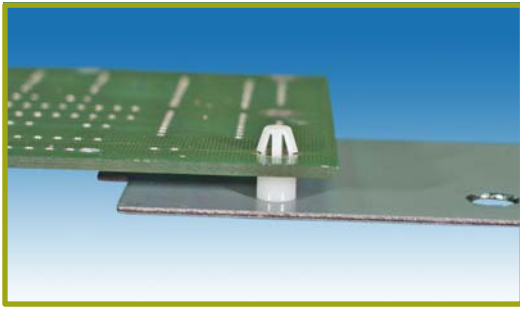
PCB Support 15.MBS~



- Material: Nylon 66 (UL)
- Flame Class: 94-V2
- Color: Natural
- Unit: mm

Part	A	B	C	Pack Size
MBS-6	6.4	9.5	11.8	1000
MBS-8	8.0	9.5	11.8	1000
MBS-10	10.0	9.0	12.0	1000
MBS-10(B)	10.0	9.0	12.0	500
MBS-10(W)	10.0	9.0	12.0	500
MBS-11	11.0	9.0	12.0	500

PCB Support 15.MC~



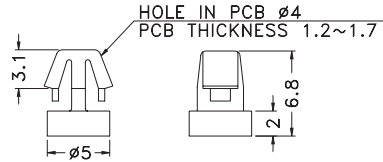
- Material: Nylon 66 (UL)
- Flame Class: 94-V2
- Color: Natural
- Unit: mm

Part	A	Pack Size
MC-3	3.0	2000
MC-4	4.0	2000
MC-5	5.0	2000
MC-6	6.3	2000
MC-7	7.0	2000
MC-8	8.0	2000
MC-10	10.0	2000
MC-12	12.7	1000

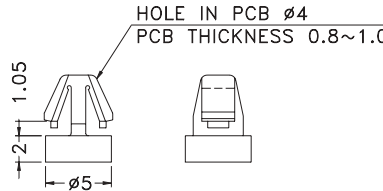
PCB Support 15.MC~



- Material: Nylon 66 (UL)
- Flame Class: 94-V2
- Color: Natural
- Unit: mm

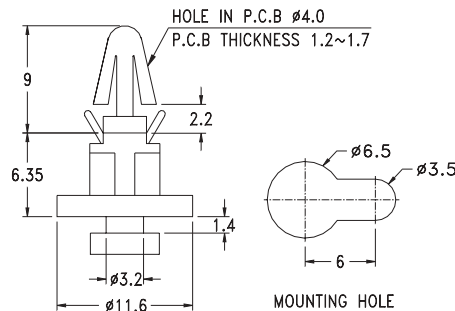
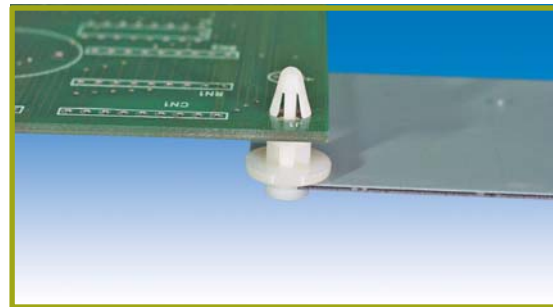


Part	Pack Size
MC-2	2000



Part	Pack Size
MC-2-1.2	2000

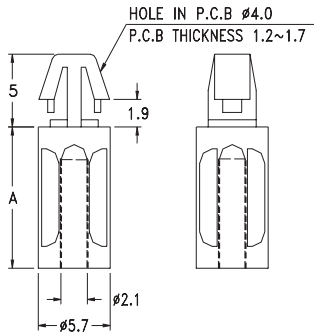
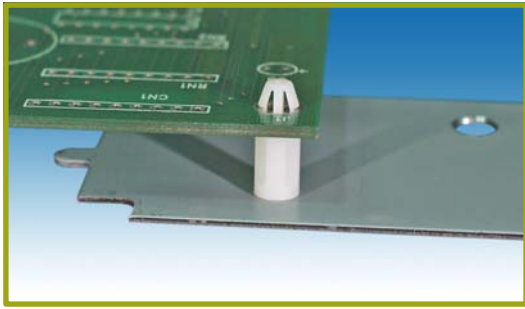
PCB Support 15.MCB-6



- Material: Nylon 66 (UL)
- Flame Class: 94-V2
- Color: Natural
- Unit: mm

Part	Pack Size
MCB-6	500

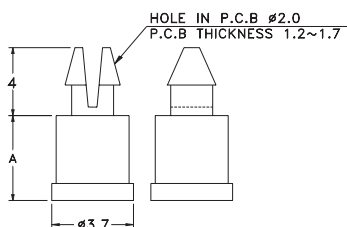
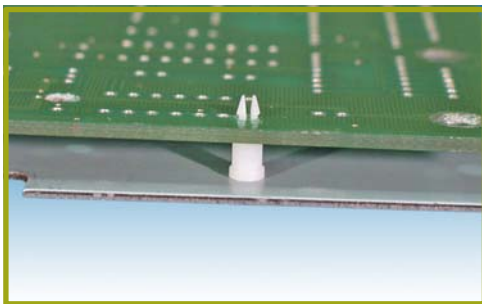
PCB Support 15.MCH~



- Material: Nylon 66 (UL)
- Flame Class: 94-V2
- Color: Natural
- Unit: mm

Part	A	Pack Size
MCH-6	6.35	1000
MCH-10	9.7	1000
MCH-12	12.7	1000

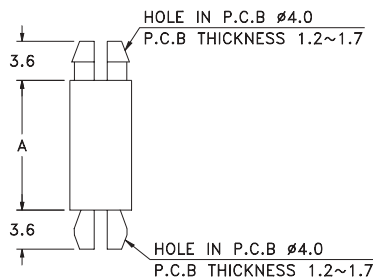
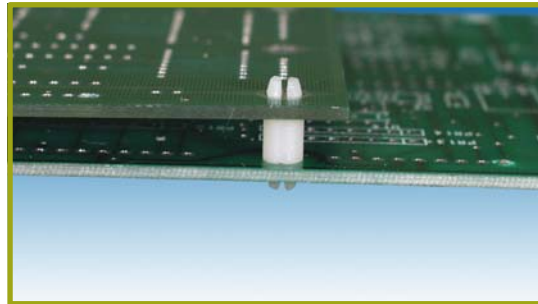
PCB Support 15.MS~



- Material: Nylon 66 (UL)
- Flame Class: 94-V2
- Color: Natural
- Unit: mm

Part	A	Pack Size
MS-4	4.0	2000
MS-5	5.0	2000

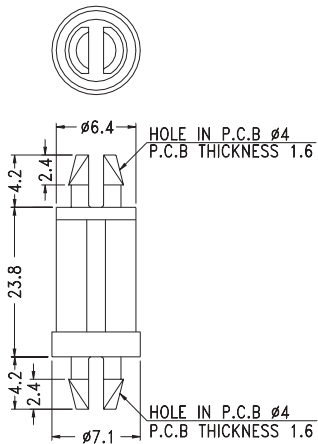
PCB Support 15.MSP~



- Material: Nylon 66 (UL)
- Flame Class: 94-V2
- Color: Natural
- Unit: mm

Part	A	Pack Size
MSP-5	5.0	1000
MSP-6	6.3	1000
MSP-7	7.0	1000
MSP-8	8.0	1000
MSP-9	9.5	1000
MSP-10	10.5	1000
MSP-12	12.7	1000
MSP-14	14.0	1000
MSP-15	15.9	1000
MSP-19	19.0	1000
MSP-22	22.0	1000

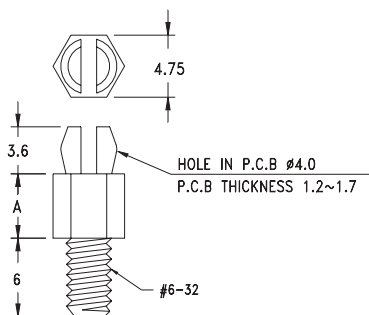
PCB Support 15.MSPM-24



- Material: Nylon 66 (UL)
- Flame Class: 94-V2
- Color: Natural
- Unit: mm

Part	Pack Size
MSPM-24	1000

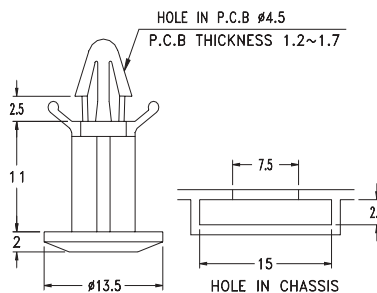
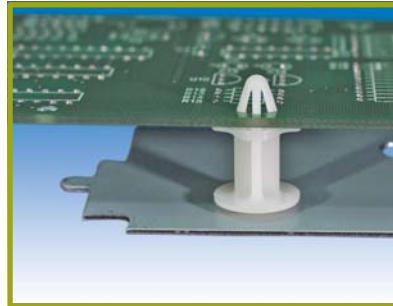
PCB Support 15.MSPS~



- Material: Nylon 66 (UL)
- Flame Class: 94-V2
- Color: Natural
- Unit: mm

Part	A	Pack Size
MSPS-3	3.2	2000
MSPS-5	4.8	1000

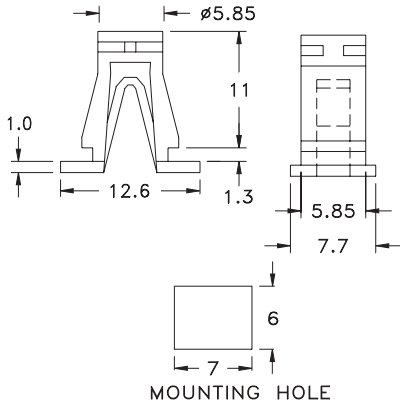
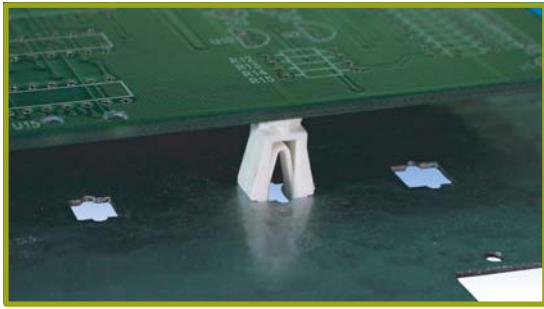
PCB Support 15.MTD-11



- Material: Nylon 66 (UL)
- Flame Class: 94-V2
- Color: Natural
- Unit: mm

Part	Pack Size
MTD-11	500

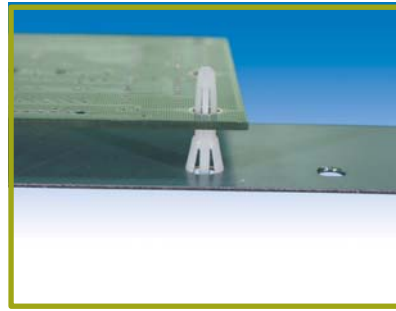
PCB Support 15.PAA-11



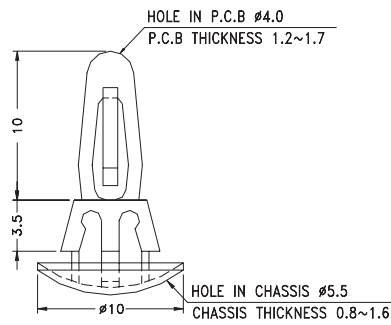
- Material: Nylon 66 (UL)
- Flame Class: 94-V2
- Color: Natural
- Unit: mm

Part	Pack Size
PAA-11	1000

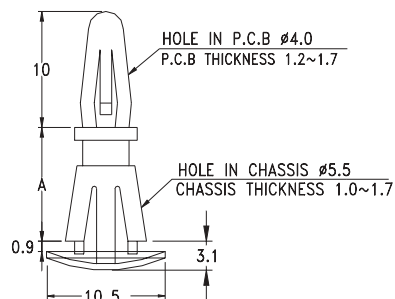
PCB Support 15.PCBS~



- Material: Nylon 66 (UL)
- Flame Class: 94-V2
- Color: Natural
- Unit: mm

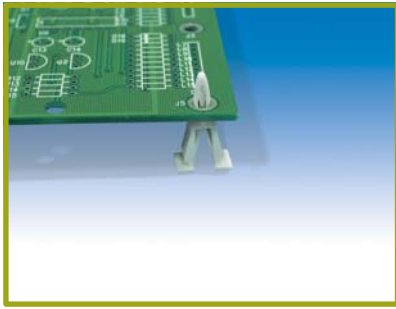


Part	Pack Size
PCBS-3	1000

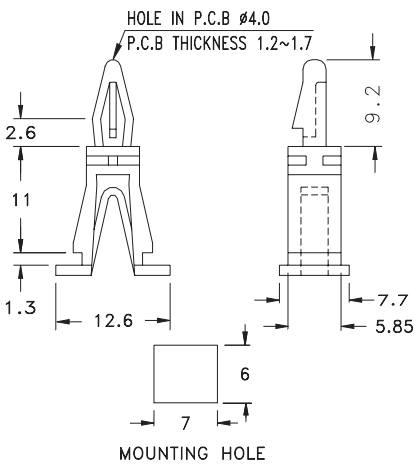


Part	Pack Size
PCBS-3	1000

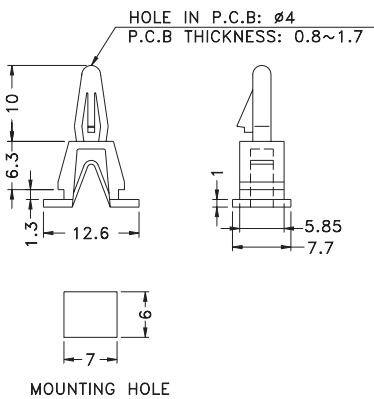
PCB Support 15.PCC~



- Material: Nylon 66 (UL)
- Flame Class: 94-V2
- Color: Natural
- Unit: mm

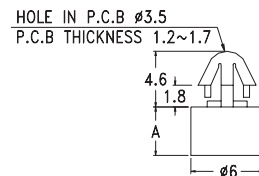
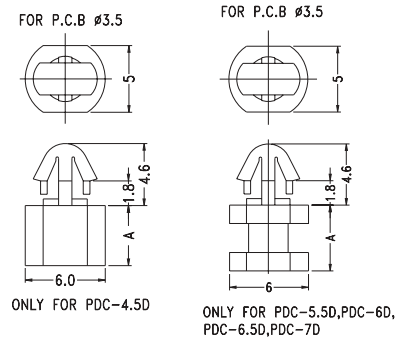
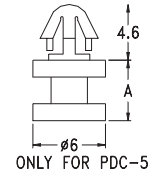
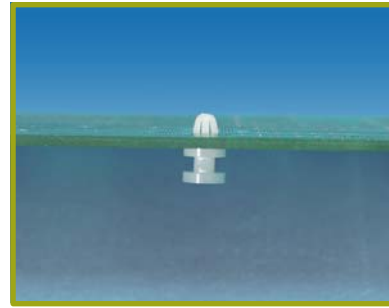


Part	Pack Size
PCC-11	1000



Part	Pack Size
PCC-6	2000

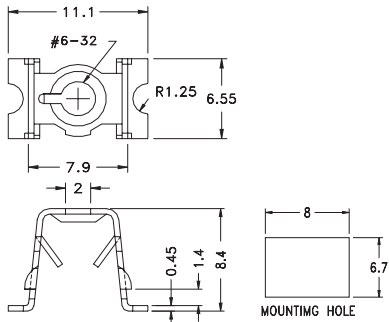
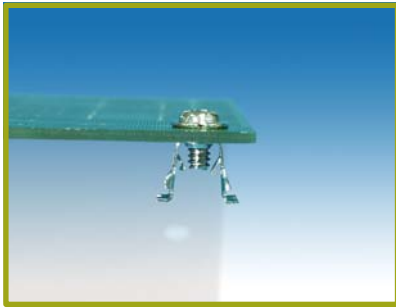
PCB Support 15.PDC~



- Material: Nylon 66 (UL)
- Flame Class: 94-V2/94-V0
- Color: Natural
- Unit: mm

Part	A	Pack Size
PDC-3	3.0	2000
PDC-4	4.0	2000
PDC-5	5.0	2000
PDC-4.5D	4.5	2000
PDC-5.5D	5.5	2000
PDC-6D	6.0	2000
PDC-6.5D	6.5	2000
PDC-7D	7.0	2000

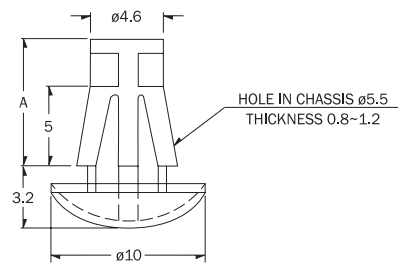
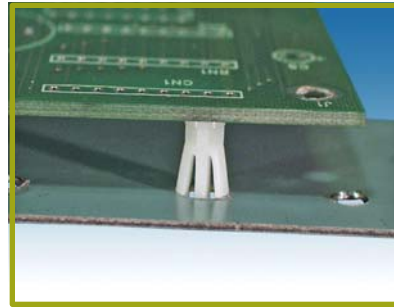
PCB Support 15.PDD-6



- Material: Steel
- Color: Zinc Plated
- Unit: mm

Part	Pack Size
PDD-6	1000

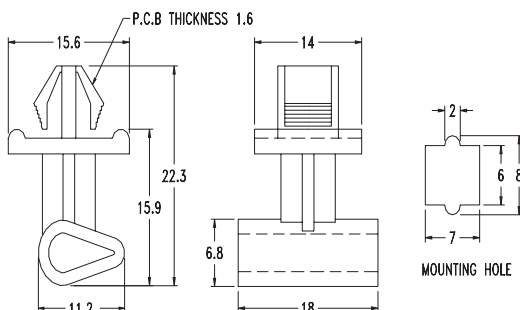
PCB Support 15.RAD~



- Material: Nylon 66 (UL)
- Flame Class: 94-V2
- Color: Natural
- Unit: mm

Part	A	Pack Size
RAD-3	3.0	1000
RAD-6	6.3	1000
RAD-8	8.0	1000
RAD-10	10.0	1000
RAD-11	11.0	1000

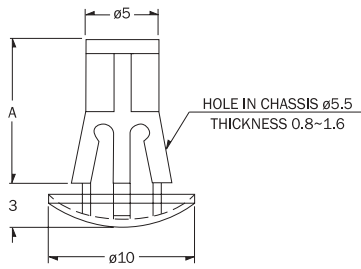
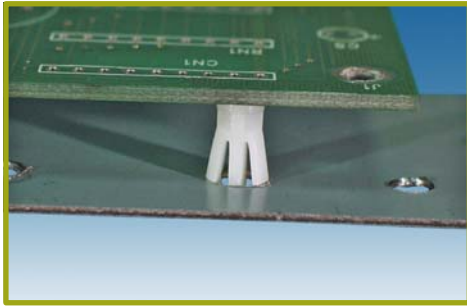
PCB Support 15.PS-16



- Material: Steel
- Color: Zinc Plated
- Unit: mm

Part	Pack Size
PS-16	500

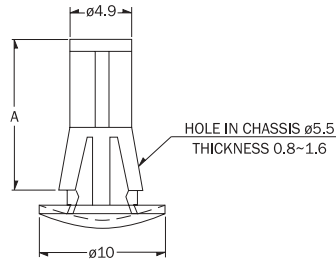
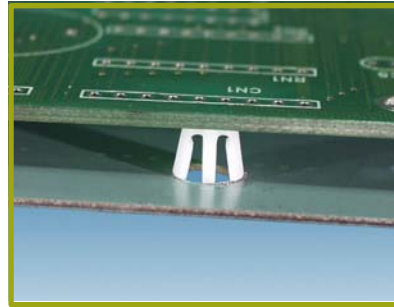
PCB Support 15.RAM~



- Material: Nylon 66 (UL)
- Flame Class: 94-V2
- Color: Natural
- Unit: mm

Part	A	Pack Size
RAM-3	3.5	1000
RAM-5	5.0	1000
RAM-6	6.35	1000
RAM-7	7.0	1000
RAM-8	8.0	1000
RAM-10	10.0	1000
RAM-12A	12.0	1000
RAM-12	12.7	1000
RAM-14	14.0	1000
RAM-16	15.9	1000
RAM-18	18.0	1000
RAM-19	19.0	1000
RAM-25	25.4	500
RAM-30	30.0	500

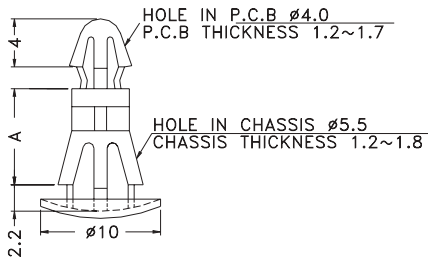
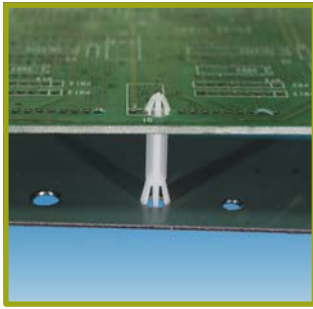
PCB Support 15.RAS~



- Material: Nylon 66 (UL)
- Flame Class: 94-V2
- Color: Natural
- Unit: mm

Part	A	Pack Size
RAS-5	5.4	1000
RAS-6	6.0	1000
RAS-7	7.0	1000
RAS-8	8.0	1000
RAS-10	10.0	1000
RAS-12	12.0	1000
RAS-14	14.0	1000
RAS-18	18.0	1000

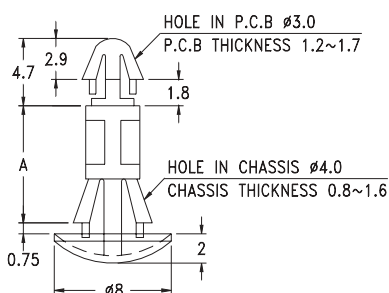
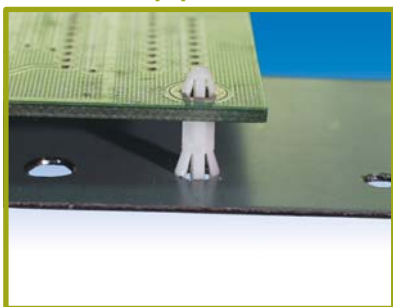
PCB Support 15.RBS~



- Material: Nylon 66 (UL)
- Flame Class: 94-V2
- Color: Natural
- Unit: mm

Part	A	Pack Size
RBS-6	6.0	1000
RBS-7	7.0	1000
RBS-8	8.0	1000
RBS-10	10.0	1000
RBS-12	12.0	1000
RBS-14	14.0	1000
RBS-18	18.0	1000

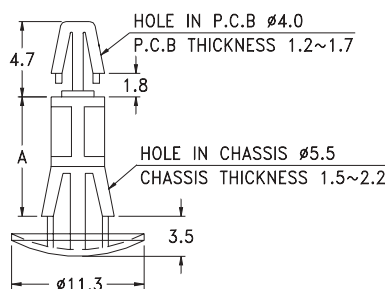
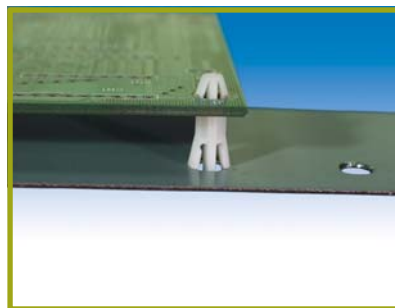
PCB Support 15.RCA~



- Material: Nylon 66 (UL)
- Flame Class: 94-V2
- Color: Natural
- Unit: mm

Part	A	Pack Size
RCA-3	3.2	2000
RCA-4	4.0	2000
RCA-5	5.0	2000
RCA-6	6.0	2000
RCA-7	7.0	1000
RCA-8	8.0	1000
RCA-9	9.0	1000
RCA-10	10.0	1000
RCA-12	12.0	1000
RCA-14	14.0	1000
RCA-16	16.0	1000

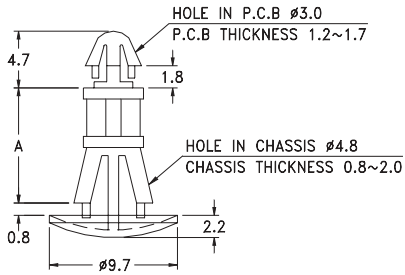
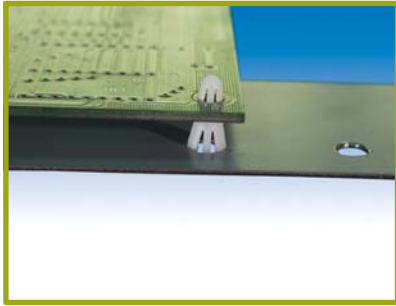
PCB Support 15.RCB~



- Material: Nylon 66 (UL)
- Flame Class: 94-V2
- Color: Natural/Black
- Unit: mm

Part	A	Pack Size
PCBS-6	6.3	1000
PCBS-10	10.0	1000
PCBS-12A	12.0	1000
PCBS-12	12.7	1000

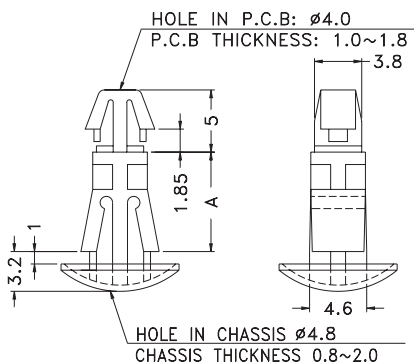
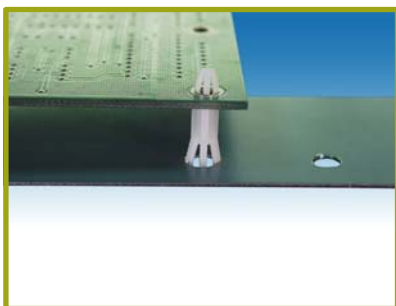
PCB Support 15.RCC~



- Material: Nylon 66 (UL)
- Flame Class: 94-V2
- Color: Natural
- Unit: mm

Part	A	Pack Size
RCC-5	5.0	2000
RCC-6	6.3	2000
RCC-8	8.0	1000
RCC-10	10.0	1000
RCC-12	12.7	1000

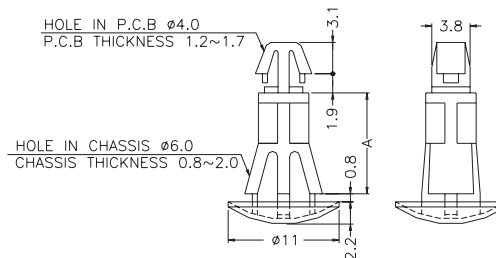
PCB Support 15.RCD~



- Material: Nylon 66 (UL)
- Flame Class: 94-V2
- Color: Natural
- Unit: mm

Part	A	Pack Size
RCD-3	3.0	2000
RCD-6	6.3	2000
RCD-8	8.0	2000
RCD-10	10.0	2000
RCD-11	11.0	2000

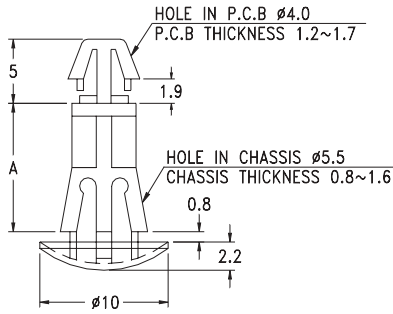
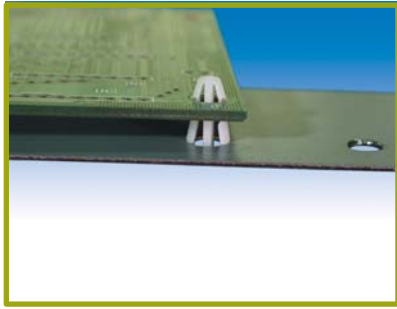
PCB Support 15.RCF~



- Material: Nylon 66 (UL)
- Flame Class: 94-V2
- Color: Natural
- Unit: mm

Part	A	Pack Size
RCF-5	5.0	2000
RCF-6	6.35	2000
RCF-8	8.0	1000
RCF-10	10.0	1000
RCF-12	12.7	1000
RCF-15	15.9	1000

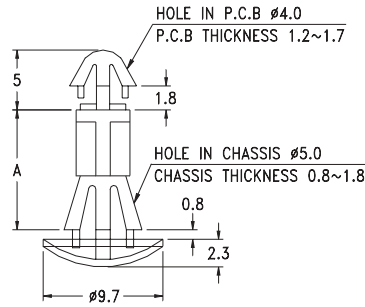
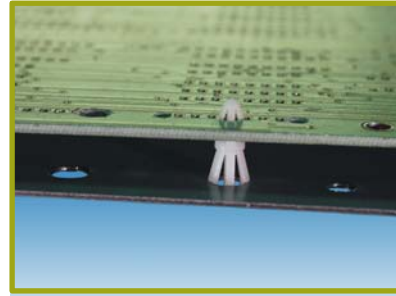
PCB Support 15.RCM~



- Material: Nylon 66 (UL)
- Flame Class: 94-V2/94-V0
- Color: Natural
- Unit: mm

Part	A	Pack Size
RCM-3	3.5	1000
RCM-3V0	3.5	1000
RCM-5	5.0	1000
RCM-6	6.35	1000
RCM-7	7.0	1000
RCM-8	8.0	1000
RCM-10	10.0	1000
RCM-12A	12.0	1000
RCM-12	12.7	1000
RCM-14	14.0	1000
RCM-16	15.9	1000
RCM-18	18.0	1000
RCM-19	19.0	19.0
RCM-25	25.4	500
RCM-30	30.0	500

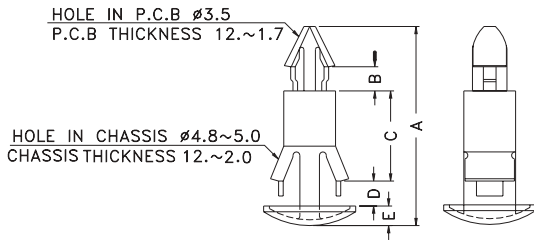
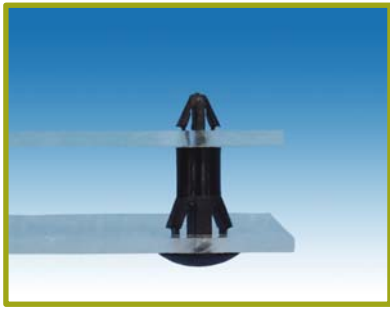
PCB Support 15.RCS~



- Material: Nylon 66 (UL)
- Flame Class: 94-V2
- Color: Natural
- Unit: mm

Part	A	Pack Size
RCS-6	6	1000
RCS-16	16	1000

PCB Support 15.RCT~



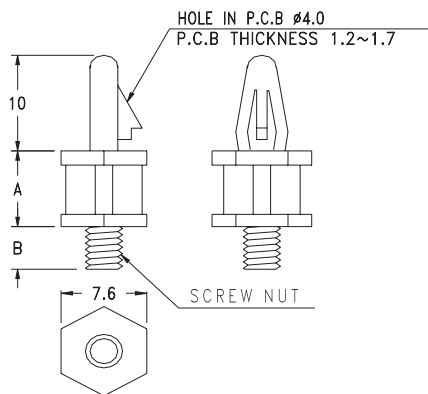
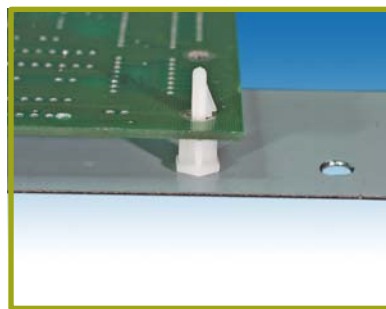
- Material: Nylon 66 (UL)
- Flame Class: 94-V2
- Color: Natural
- Unit: mm

Part	A	B	C	D	E	Pack Size
RCT-4.5	13.6	2.1	4.5	2.17	1.7	1000
RCT-8	17.0	2.1	7.9	2.17	1.7	1000

- Material: Nylon 66 (UL)
- Flame Class: 94-V2
- Color: Natural
- Unit: mm

Part	A	B	Screw Nut	Pack Size
SCB-6	6.3	7.8	6#32	1000
SCB-10	9.5	7.8	6#32	1000
SCB-12	12.7	7.8	6#32	1000
SCB-15	15.9	7.8	6#32	1000

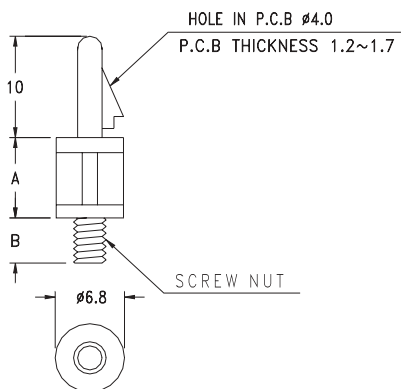
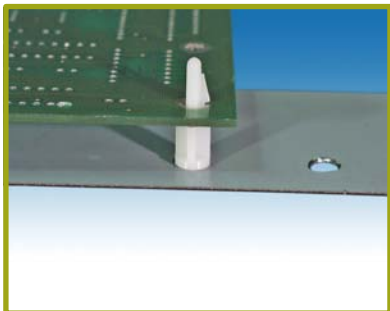
PCB Support 15.SCB~



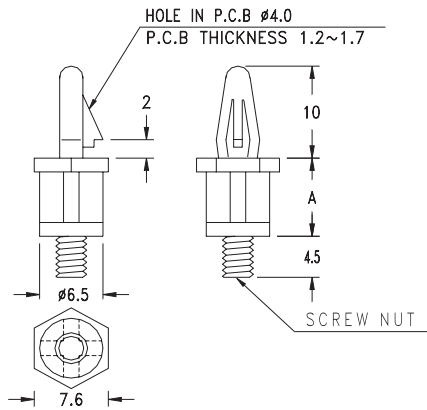
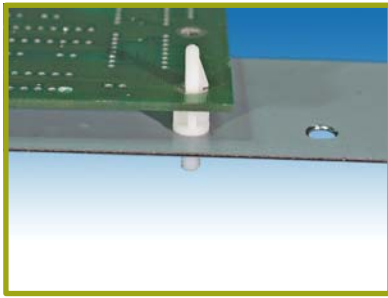
- Material: Nylon 66 (UL)
- Flame Class: 94-V2
- Color: Natural
- Unit: mm

Part	A	B	Screw Nut	Pack Size
SCB-6S	6.3	4.8	6#32	1000
SCB-8S	8.0	4.5	6#32	1000
SCB-10S	10.0	4.5	6#32	1000
SCB4-6	6.3	4.8	M4	1000

PCB Support 15.SCB~



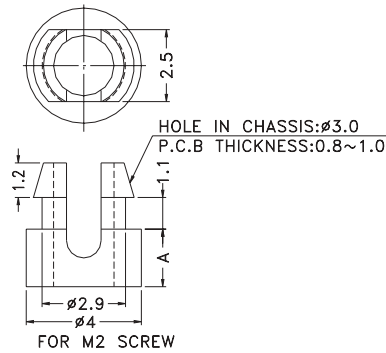
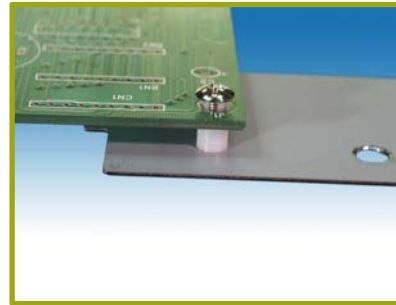
PCB Support 15.SCB~



- Material: Nylon 66 (UL)
- Flame Class: 94-V2
- Color: Natural
- Unit: mm

Part	A	Screw Nut	Pack Size
SCB-8.5S	8.5	6#32	1000
SCB-10SA	10.0	6#32	1000
SCB4-16	15.9	M4	1000

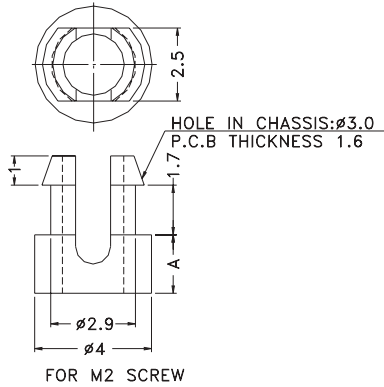
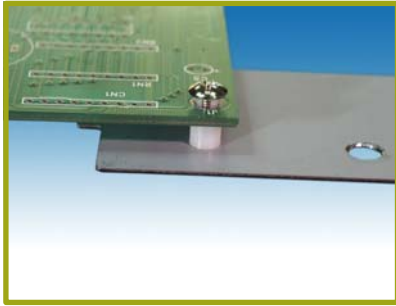
PCB Support 15.SS1~



- Material: Nylon 66 (UL)
- Flame Class: 94-V2
- Color: Natural
- Unit: mm

Part	A	Pack Size
SS1-2	2.0	2000
SS1-2.5	2.5	2000
SS1-3	3.0	2000
SS1-3.5	3.5	2000
SS1-4	4.0	2000
SS1-4.5	4.5	2000
SS1-5	5.0	2000
SS1-5.5	5.5	2000
SS1-6	6.0	2000

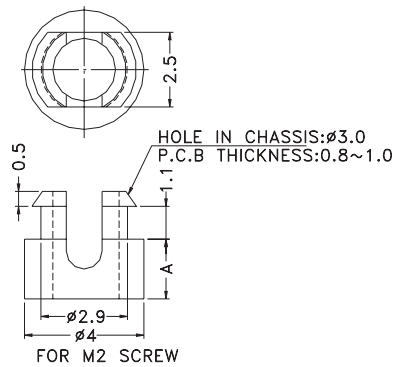
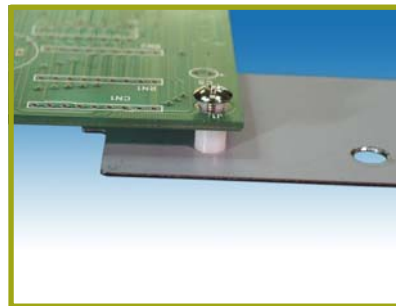
PCB Support 15.SS1~L



- Material: Nylon 66 (UL)
- Flame Class: 94-V2
- Color: Natural
- Unit: mm

Part	A	Pack Size
SS1-2L	2.0	2000
SS1-2.5L	2.5	2000
SS1-3L	3.0	2000
SS1-3.5L	3.5	2000
SS1-4L	4.0	2000
SS1-4.5L	4.5	2000
SS1-5L	5.0	2000
SS1-5.5L	5.5	2000
SS1-6L	6.0	2000

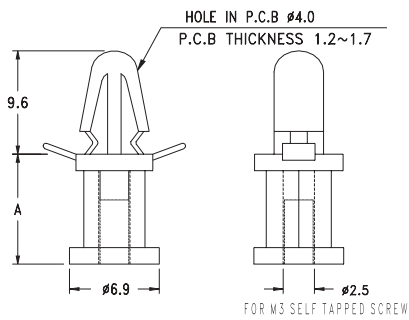
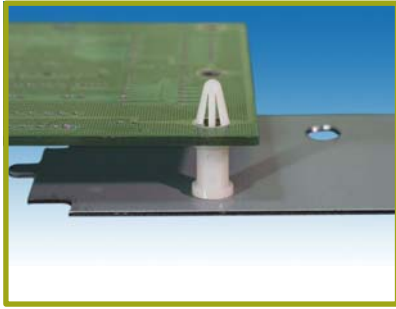
PCB Support 15.SS1~S



- Material: Nylon 66 (UL)
- Flame Class: 94-V2
- Color: Natural
- Unit: mm

Part	A	Pack Size
SS1-2S	2.0	2000
SS1-2.5S	2.5	2000
SS1-3S	3.0	2000
SS1-3.5S	3.5	2000
SS1-4S	4.0	2000
SS1-4.5S	4.5	2000
SS1-5S	5.0	2000
SS1-5.5S	5.5	2000
SS1-6S	6.0	2000

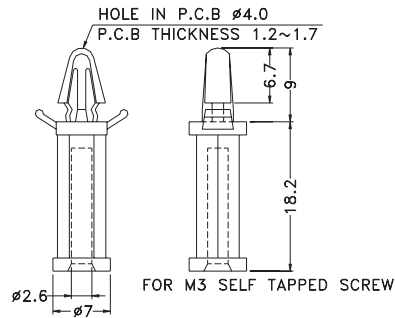
PCB Support 15.TCBS~



- Material: Nylon 66 (UL)
- Flame Class: 94-V2
- Color: Natural
- Unit: mm

Part	A	Pack Size
TCBS-5	5.0	1000
TCBS-6	6.35	1000
TCBS-7	7.0	1000
TCBS-10	10.0	1000
TCBS-15	15.0	1000
TCBS-20	20.0	1000
TCBS-25	25.0	1000
TCBS-30	30.0	1000
TCBS-35	35.0	1000

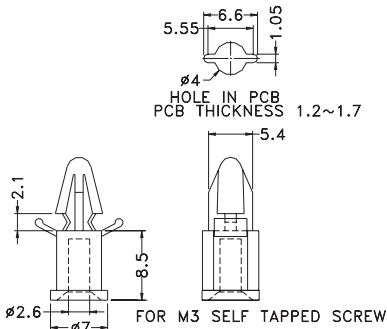
PCB Support 15.TCBS-18



- Material: Nylon 66 (UL)
- Flame Class: 94-V2
- Color: Natural
- Unit: mm

Part	Pack Size
TCBS-18	1000

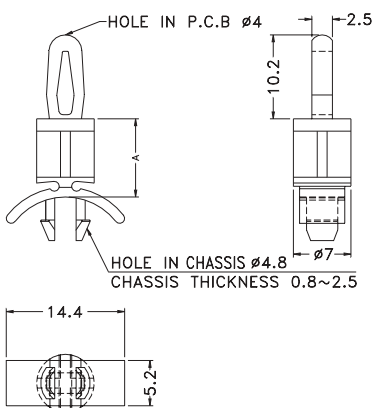
PCB Support 15.TCBT-8.5



- Material: Nylon 66 (UL)
- Flame Class: 94-V2
- Color: Natural
- Unit: mm

Part	Pack Size
TCBT-8.5	1000

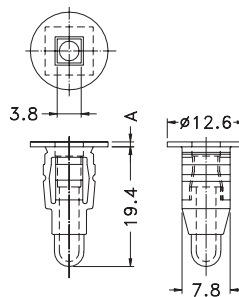
PCB Support 15.UCBS~



- Material: Nylon 66 (UL)
- Flame Class: 94-V2
- Color: Natural
- Unit: mm

Part	A	Pack Size
UCBS-5	4.8	1000
UCBS-6	6.4	1000
UCBS-9	9.5	1000
UCBS-12	12.7	1000
UCBS-15	15.9	1000
UCBS-19	19.1	1000
UCBS-22	22.2	1000

PCB Support 15.YES~



- Material: Nylon 66 (UL)
- Flame Class: 94-V2
- Color: Natural
- Unit: mm

Part	A	Pack Size
YES-08	0.8	500
YES-32	3.2	500
YES-48	4.8	500