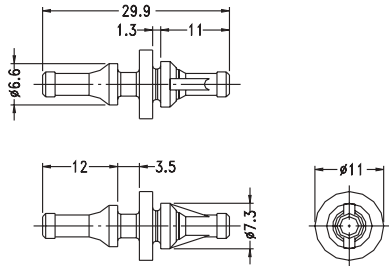


Fan Rivet 15.BUB-30

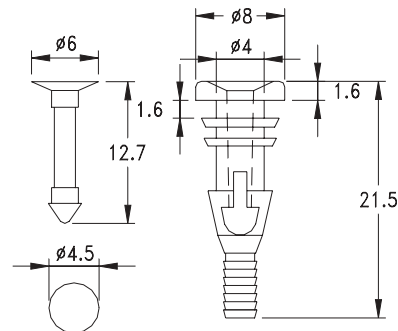


⊕FANS MOUNTING HOLE $\varnothing 4.3 \pm 0.08$ mm AND 3 TO 5.5mm THICKNESS.
 ⊕SUPPORT MOUNTING HOLE $\varnothing 5.0 \pm 0.1$ mm AND 1 TO 2mm THICKNESS.

- Material: T.P.E.
- Color: Black
- Unit: mm

Part	Pack Size
BUB-30	1000

Fan Rivet 15.FSP-2

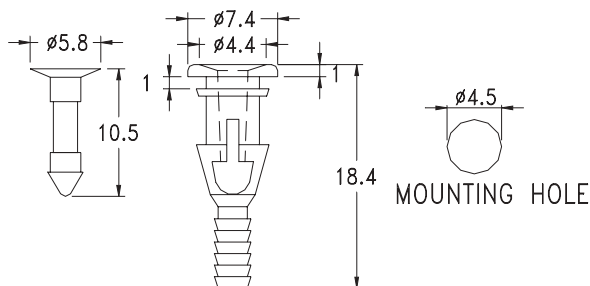


MOUNTING HOLE

- Pin Material: Nylon 66 (UL) 94V-2
- Body Material: T.P.E.
- Color: Black
- Unit: mm

Part	Pack Size
FSP-2	1000

Fan Rivet 15.FSP-1

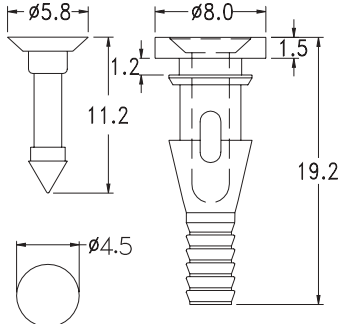


MOUNTING HOLE

- Pin Material: Nylon 66 (UL) 94V-2
- Body Material: T.P.E.
- Color: Black
- Unit: mm

Part	Pack Size
FSP-1	1000

Fan Rivet 15.FSP-3

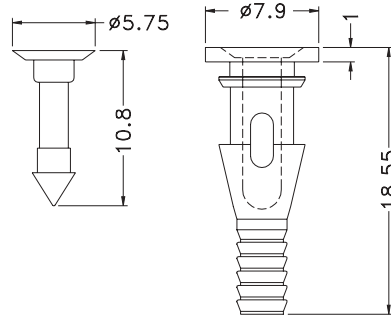


MOUNTING HOLE

- Pin Material: Nylon 66 (UL) 94V-2
- Body Material: T.P.E.
- Color: Black
- Unit: mm

Part	Pack Size
FSP-3	1000

Fan Rivet 15.FSP-4



MOUNTING HOLE $\phi 4.5 \sim \phi 4.7$

- Pin Material: Nylon 66 (UL) 94V-2
- Body Material: T.P.E.
- Color: Black
- Unit: mm

Part	Pack Size
FSP-4	1000