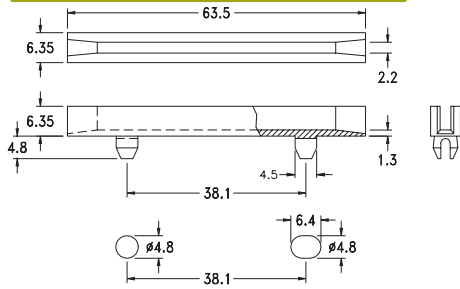


## Card Guide 15.BCG-250

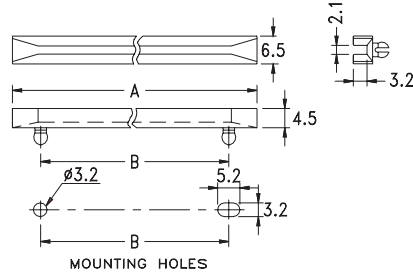
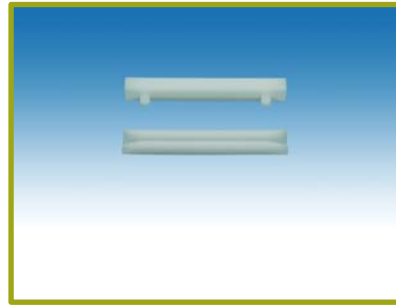


MOUNTING HOLES

- Material: Nylon 66 (UL)
- Flame Class: 94V-2 (10% Glass filled)/94V-0
- Color: Black/White
- Unit: mm

Part	Pack Size
BCG-250	500

## Card Guide 15.CG~

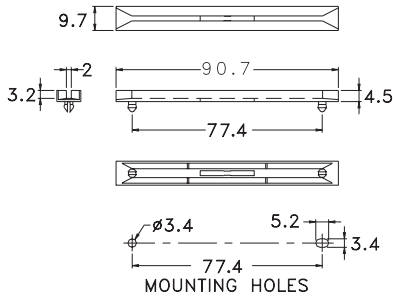
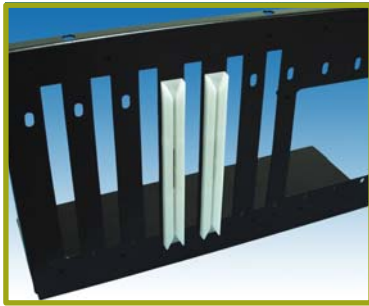


CHASSIS THICKNESS: 0.8~1.2

- Material: Nylon 66 (UL)
- Flame Class: 94V-2
- Color: Natural/Black
- Unit: mm

Part	A	B	Pack Size
CG-250	63.5	50.8	500
CG-300	76.2	63.5	500
CG-350	88.9	76.2	250
CG-400	101.6	88.9	250
CG-450	114.3	101.6	200
CG-500	127.0	114.3	200
CG-550	139.7	127.0	200
CG-600	152.4	139.7	200

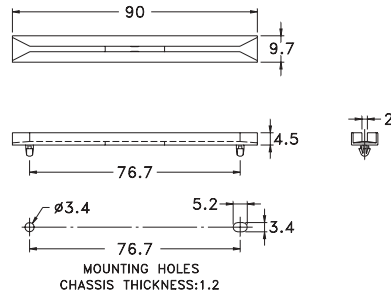
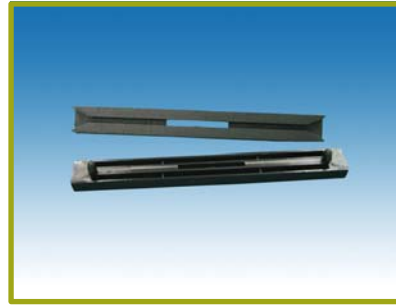
## Card Guide 15.CG-9A



- Material: Nylon 66 (UL)
- Flame Class: 94V-2
- Color: Natural/Black
- Unit: mm

Part	Pack Size
CG-9A	250

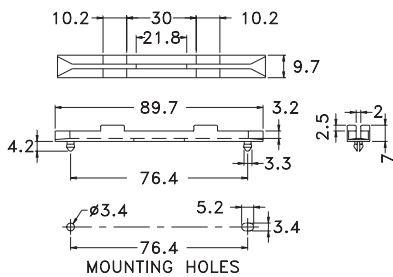
## Card Guide 15.CG-9B



- Material: Nylon 66 (UL)
- Flame Class: 94V-2
- Color: Natural/Black
- Unit: mm

Part	Pack Size
CG-9B	250

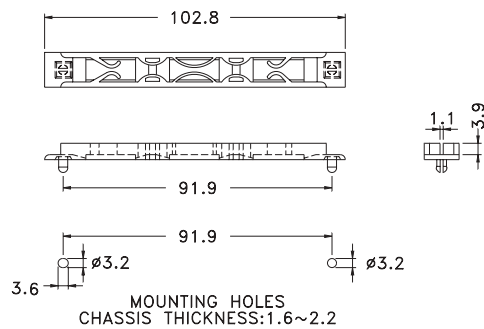
## Card Guide 15.CG-9AL



- Material: Nylon 66 (UL)
- Flame Class: 94V-2
- Color: Natural/Black
- Unit: mm

Part	Pack Size
CG-9AL	250

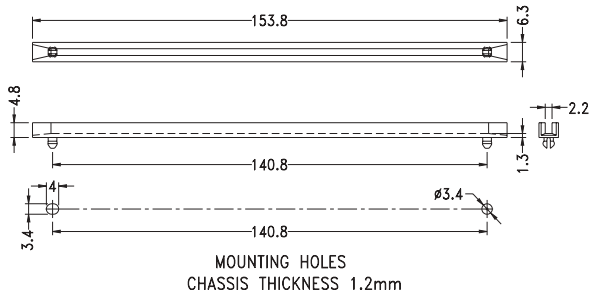
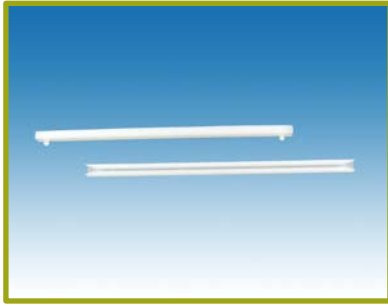
## Card Guide 15.CG-10A(B)



- Material: Nylon 66 (UL)
- Flame Class: 94V-2
- Color: Black
- Unit: mm

Part	Pack Size
CG-10A(B)	250

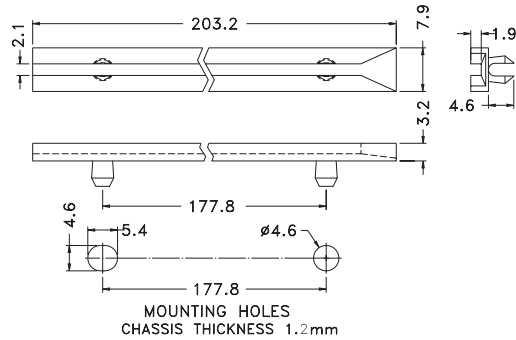
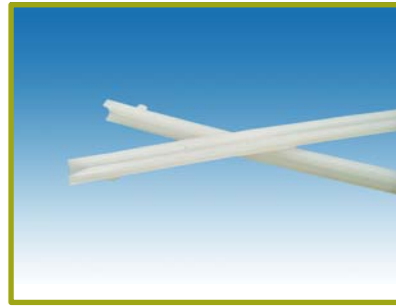
## Card Guide 15.CG-153



- Material: Nylon 66 (UL)
- Flame Class: 94V-2
- Color: Natural
- Unit: mm

Part	Pack Size
CG-153	100

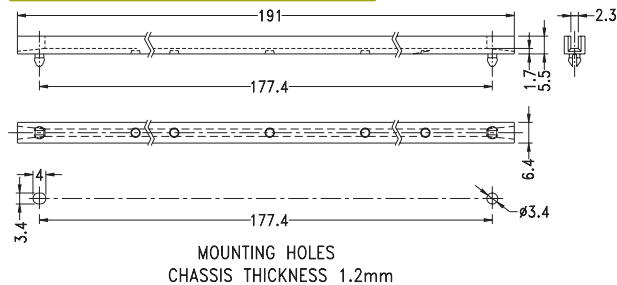
## Card Guide 15.CG-203



- Material: Nylon 66 (UL)
- Flame Class: 94V-2
- Color: Natural
- Unit: mm

Part	Pack Size
CG-203	100

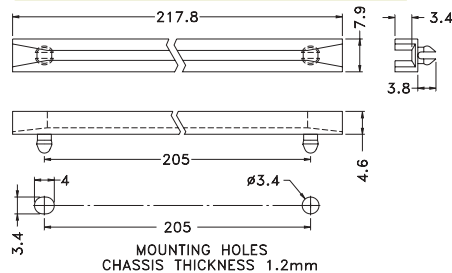
## Card Guide 15.CG-191



- Material: Nylon 66 (UL)
- Flame Class: 94V-2
- Color: Natural
- Unit: mm

Part	Pack Size
CG-153	100

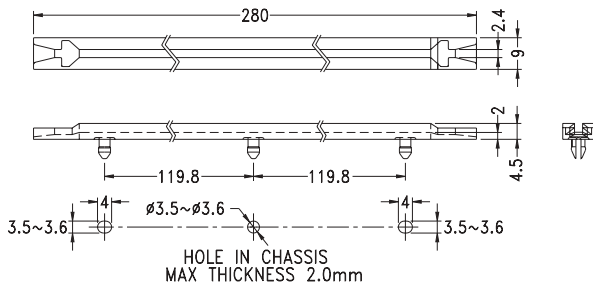
## Card Guide 15.CG-218



- Material: Nylon 66 (UL)
- Flame Class: 94V-2
- Color: Natural
- Unit: mm

Part	Pack Size
CG-218	100

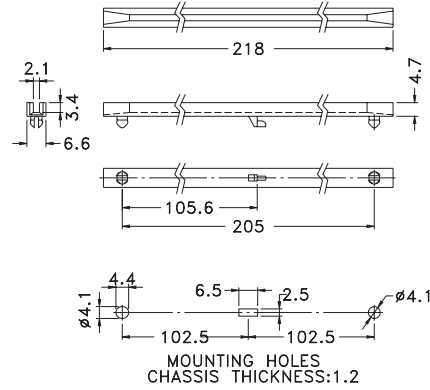
## Card Guide 15.CG-153



- Material: Nylon 66 (UL)
- Flame Class: 94V-2
- Color: Natural
- Unit: mm

Part	Pack Size
CG-280	100

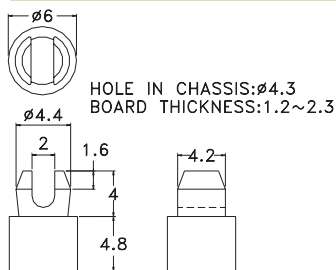
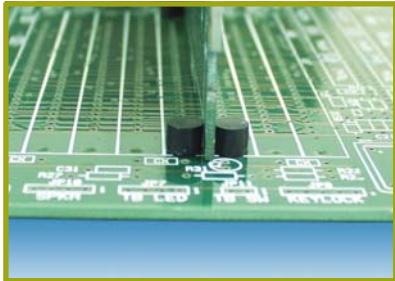
## Card Guide 15.CGF-218



- Material: PC (UL)
- Flame Class: 94V-2
- Color: Black
- Unit: mm

Part	Pack Size
CGF-218	100

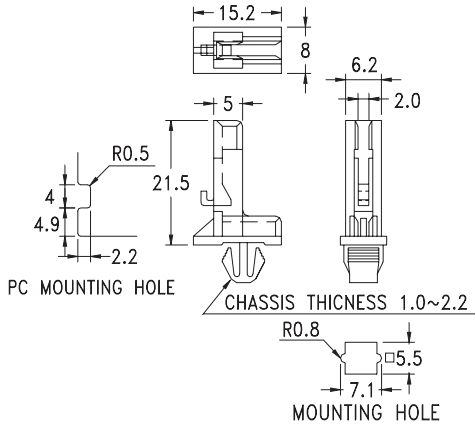
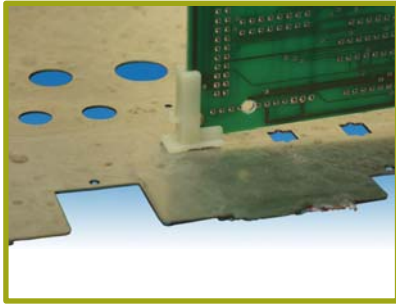
## Card Guide 15.CGB-6



- Material: Nylon 66 (UL)
- Flame Class: 94V-2
- Color: Black
- Unit: mm

Part	Pack Size
CGB-6	2000

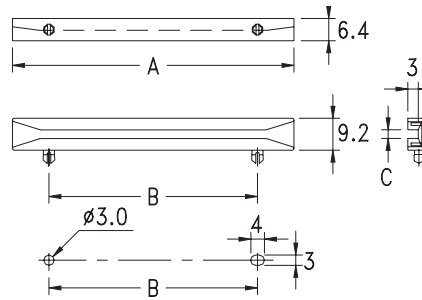
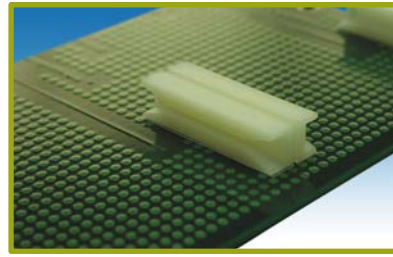
## Card Guide 15.CGH-1



- Material: Nylon 66 (UL)
- Flame Class: 94V-2
- Color: Natural
- Unit: mm

Part	Pack Size
CGH-1	500

## Card Guide 15.CGL~

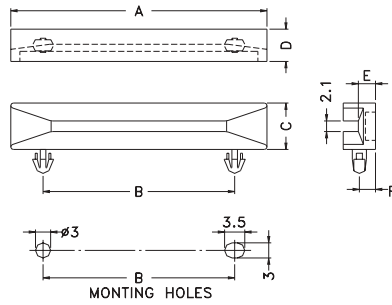
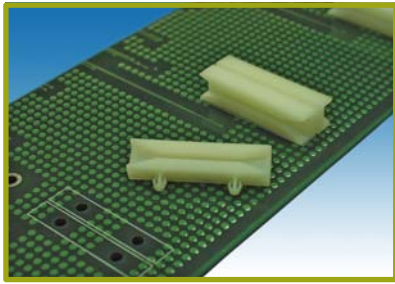


MOUNTING HOLES

- Material: Nylon 66 (UL)
- Flame Class: 94V-2
- Color: Natural
- Unit: mm

Part	A	B	C	Pack Size
CGL-4	38.4	20.0	2.0	500
CGL-8	81.0	60.0	2.5	250

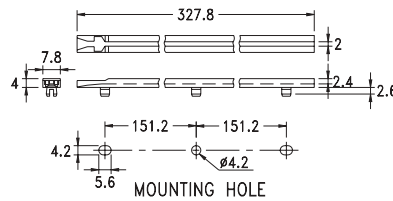
## Card Guide 15.CGLA~



- Material: Nylon 66 (UL)
- Flame Class: 94V-2
- Color: Natural
- Unit: mm

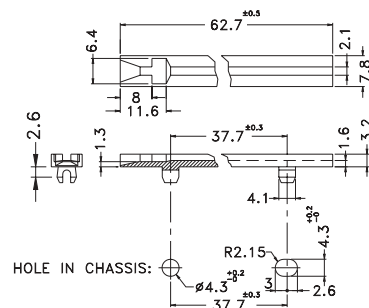
Part	A	B	C	D	E	F	PCB Thickness	Pack Size
CGLA-4	38.4	20.0	9.2	6.4	3.4	3.2	1.6 ~ 1.7	500
CGLA-4(2)	38.4	20.0	9.2	6.4	3.4	3.2	2.0	500
CGLA-4S	40.0	20.0	8.0	6.0	3.0	3.0	1.6	500
CGLA-6	51.0	38.2	9.2	6.4	3.4	3.2	1.6 ~ 1.7	500
CGLA-8	81.0	60.0	8.0	6.0	3.0	3.0	1.6 ~ 1.8	250
CGLA-8(2)	81.0	60.0	8.0	6.0	3.0	3.0	1.8 ~ 2.1	250
CGLA-8(8)	81.0	60.0	8.0	6.0	3.0	3.0	1.8	250
CGLA-8(25)	81.0	60.0	8.0	6.0	3.0	3.0	2.5	250
CGLA-9(1)	91.5	71.0	8.0	6.0	3.0	3.0	1.6 ~ 1.8	250
CGLA-9(2)	91.5	71.0	8.0	6.0	3.0	3.0	1.8 ~ 2.1	250

## Card Guide 15.FR~



Part	Pack Size
FR-1300	100

- Material: Nylon 66 (UL)
- Flame Class: 94V-2
- Color: Red
- Unit: mm



Part	Pack Size
FR-250	500