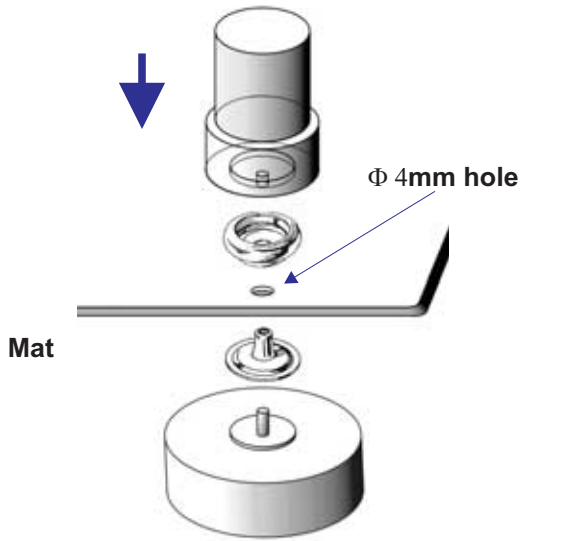
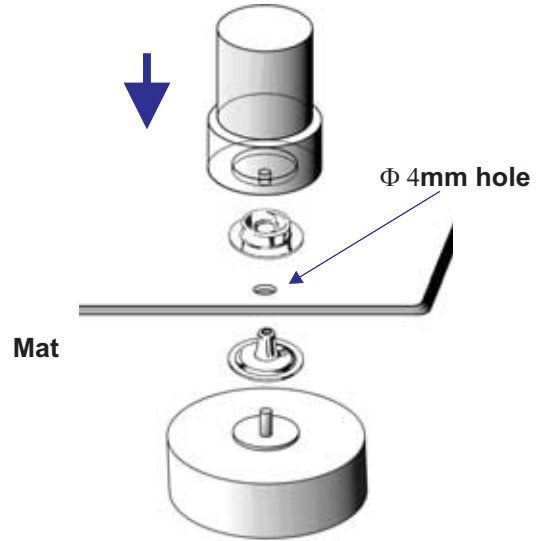


GROUNDING ACCESSORIES



7804.803
7804.809

Φ10mm socket (2 parts)
Punch and Anvil for socket



7804.804
7804.805

Φ10mm stud (2 parts)
Punch and Anvil for socket



7804.815

Stud Φ 10mm



7804.814

Socket Φ 10mm



7804.818

Stud

Stud



7804.819

Socket

Socket



7804.796

Stud



7804.797

Socket



7804.816



7804.817



7804.872



7804.873

7804 815

ADAPTOR from socket Φ 10mm
to banana plug Φ 4mm

7804 814

ADAPTOR from stud Φ 10mm
to banana plug Φ 4mm

7804 818

ADAPTOR from socket Φ 10mm
to plug Φ 10mm

7804 819

ADAPTOR from plug Φ 10mm
to socket Φ 10mm

7804 796

Clinch SNAP
male, Φ 10mm

7804 797

Clinch SNAP
female, Φ 10mm

7804 816

Φ 10mm socket
crimp terminable on AWG 16-14 wire

7804 817

Φ 10mm plug
crimp terminable on AWG 16-14 wire

7804 872

BANANA Φ 4mm

7804 873

Alligator-clip for banana plug Φ 4mm